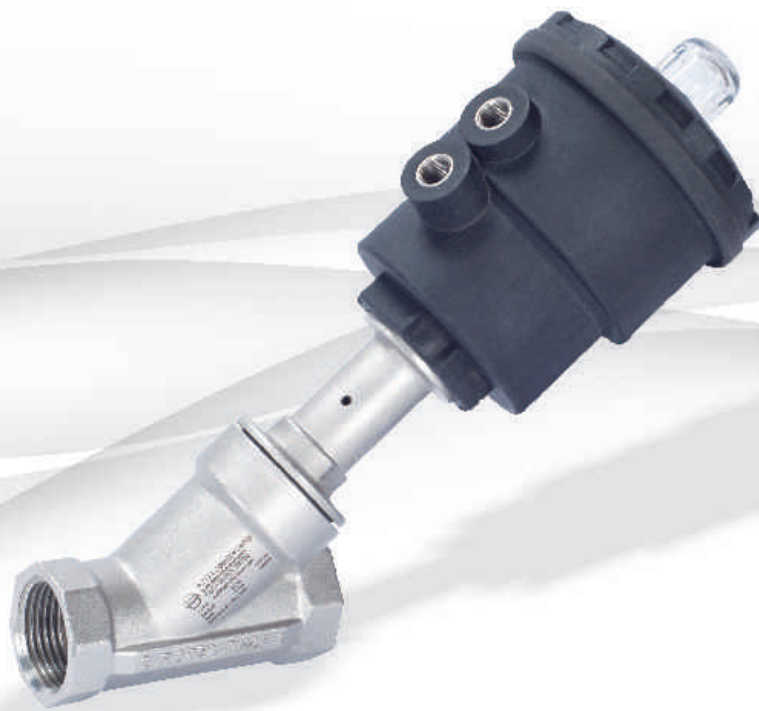


ASV : 0217

ANGLE SEAT VALVE



CE
PED

 **ROTEX**

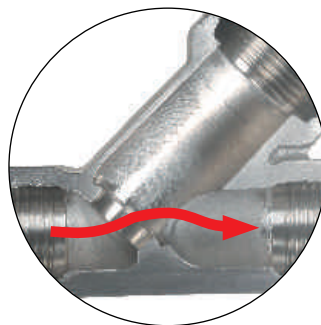
Engineering For The Future

FEATURES

- Easy conversion from Single Acting to Double Acting
- Modular Design, multiple Operator option possible on the same valve Body
- Lubricated pilot Air not required
- Designed to work up to 10^{-6} Torr Vacuum
- Fast acting up to 500 cycles/ hour
- Wetted Parts : CF8, SS 304. Optionally same can be provided with CF3M & SS 316L
- SS 303 inserts for Operator ports
- Operation Life > 3 Million cycles
- Pressurisation of spring chamber in case of single acting operator using appropriate 5/2 valve
- Quick operation of valve possible using appropriate 5/2 valve



- Self aligning plug ensures zero leak for every operation
- Swivel joint rotating in all 360°



- Smooth profile with minimum bend for higher flow



- Burnished valve stem with unique PTFE gland packing for lower friction, smoother operation and longer life
- No maintenance due to spring loaded V Packing

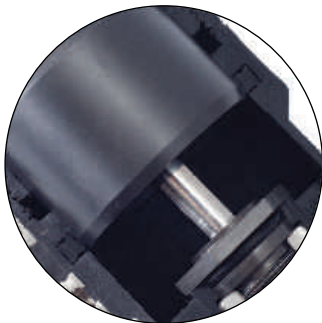


- Designed to avoid metal to metal contact, by use of longer sleeve for accommodating more gland packings, also resulting in better protection against leak
- Rugged gland packing for media and pilot air

ANGLE SEAT VALVE DOUBLE ACTING UNIVERSAL

FEATURES

- NC / NO / Bi Directional Operation
- Modular Design, multiple Operator option possible on the same valve Body
- Lubricated pilot Air not required
- Designed to work up to 10^{-6} Torr Vacuum
- Fast acting up to 1,000 cycles/ hour
- Wetted parts : CF8, SS 304. Optionally same can be provided with CF3M & SS 316L
- Operation Life > 3 Million cycles
- SS 303 inserts for Operator ports



- Aluminium hard anodized piston
- Stationary seal, Sealing on Aluminium Piston
- Low friction
- Longer life
- Sealing on Aluminium Piston

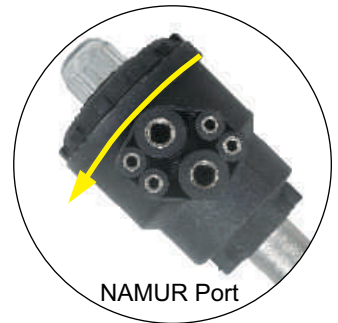


- Transparent Dome for visual valve open indication
- Indicator dome can be replaced by Limit Switch or Positioner or Stroke Limiter



Clean Port

- Operator can be rotated 360°
- Ideally suited for area in which contamination due to exhaust air and sedimentation of particles in the operator crevices are not desired
- Corrosion resistive glass filled Nylon Operator



NAMUR Port

- Operator can be rotated 360°
- Corrosion resistive glass filled Nylon Operator
- NAMUR pad for ease of mounting Solenoid Valve

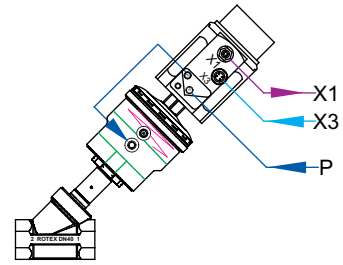
**ANGLE SEAT VALVE
WITH INTELLIGENT POSITIONER**

FEATURES

- Can be adapted to Single/ Double Acting Angle Seat Valve
- Auto tuning
- User friendly settings
- INPUT
Power 24V DC
Signal 0/4 - 20mA/ 0 - 5/10V
From Sensor 4 - 20mA (applicable for VL141, VL141D)
- OUTPUT
Position Feedback 0/4 - 20mA/ 0 - 5/10V
- Suitable for Pilot Pressure 3-7 bar
- Optional one Analog Input for Process Control
- Emergency Shut Off signal
- Valve full Open/ Close status Signal provided
- Ambient Temperature 0 - 55 °C
- Weather Proof IP65

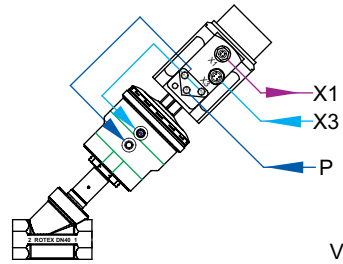
ORDERING CODE

- Select VL14, V14D, VL141, VL141D from accessories table
(Refer pages 17, 21, 25)



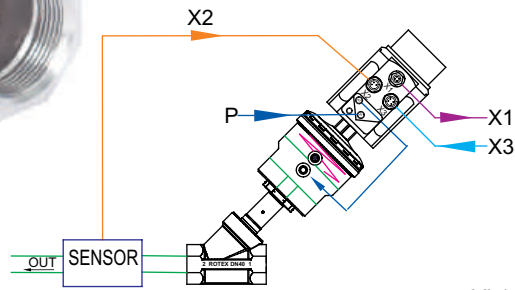
VL14

CONNECTION VL14	
X1	Position Feedback Output 0/4 - 20mA or 0 - 5/10V
X3	Input Signal 0/4 - 20mA, 0 - 5V/ 10V, Power 24V DC
P	Pilot Air Inlet 3-7 bar



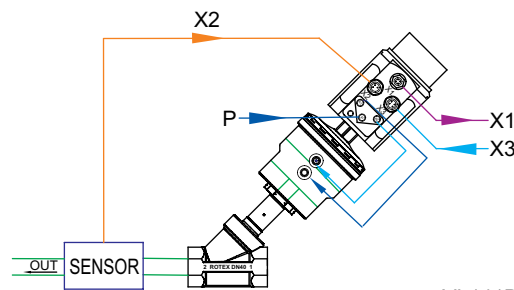
VL14D

CONNECTION VL14D	
X1	Position Feedback Output 0/4 - 20mA or 0 - 5/10V
X3	Input Signal 0/4 - 20mA, 0 - 5V/ 10V, Power 24V DC
P	Pilot Air Inlet 3-7 bar



VL141

CONNECTION VL141	
X1	Position Feedback Output 0/4 - 20mA or 0 - 5/10V
X2	From Process Control Sensor 4 - 20 mA
X3	Input Signal 0/4 - 20mA, 0 - 5V/ 10V, Power 24V DC
P	Pilot Air Inlet 3-7 bar



VL141D

CONNECTION VL141D	
X1	Position Feedback Output 0/4 - 20mA or 0 - 5/10V
X2	From Process Control Sensor 4 - 20 mA
X3	Input Signal 0/4 - 20mA, 0 - 5V/ 10V, Power 24V DC
P	Pilot Air Inlet 3-7 bar

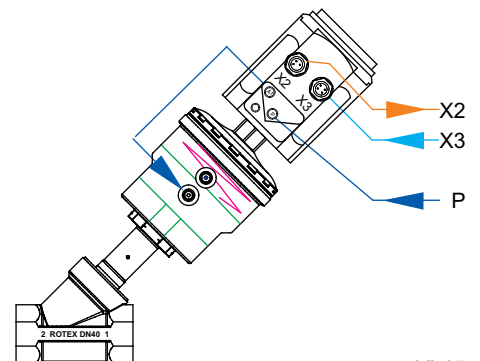
ANGLE SEAT VALVE WITH ELECTRONIC POSITIONER

FEATURES

- Can be adapted to Single Acting Normally Close Angle Seat Valve
- Prominent Visual LED indicator in 10 steps for indication of valve opening from 0 to 100%
- User Friendly Setting
- LED indication for Manual/ Auto mode
- INPUT
Power 24V DC
Signal 4 - 20mA
- OUTPUT
Position Feedback 4 - 20mA
- Suitable for Pilot Pressure 3-7 bar
- Ambient Temperature 0 - 55 °C
- Weather Proof IP65

ORDERING CODE

- Select VL15 from accessories table
(Refer pages 17, 21, 25)



VL15

CONNECTION VL15	
X2	Position Feedback Output 0/4 - 20mA
X3	Input Signal 4 - 20mA, Power 24V DC
P	Pilot Air Inlet 3-7 bar

FEATURES

- Suitable only for Normally Closed Single Acting Angle Seat Valve
- Can sense full open position of the valve
- Potential free feedback from SPDT, Micro Switch rating 3A AC, 0.5A DC

Refer to page 9 for more details



ORDERING CODE

- Select PSSA50 or PSSA63 or PSSA 90 or PSSA110 from accessories table
(Refer pages 17, 21, 25)
-

ANGLE SEAT VALVE WITH VALVE POSITION SENSOR

FEATURES

- Suitable for Double/ Single Acting NC, NO Angle Seat Valve
- Metallic Aluminium Cast Epoxy Powder coated enclosure having IP67 protection,
- Dual cable entry for possibility to terminate solenoid in the junction box and having one cable in to limit switch box
- Up to two sensors each for Open and Close position of the valve
- For ease of cabling, Limit Switch Box Can be rotated 360°
- Sensing element : Micro Switch, WP/ Ex ia, Proximity Switch

Refer to page 10 for more details



ORDERING CODE

- Select LS21 or LS41 or LS22 or LS42 or LS23 or LS43 from accessories table
(Refer pages 17, 21, 25)

SPECIFICATION

• Valve type	Angle Seat Valve
• Function	Single Acting/ Double Acting
• Action	NC/ NO/ Bi-Directional
• Operating Pressure	0 - 16 bar/ 0 - 25 bar
• Ambient Temperature	-10 °C to +60 °C
• Media	Steam, Air, Oil, Water, Fuel Gas and Liquid, Vacuum
• Fluid Temperature	-10 °C to +180 °C with A (PTFE Seat, NBR Seal) Optionally -10 °C to +220 °C with (PEEK Seat, VITON Seal)
• Size	1/2" 3/4", 1", 1 1/4", 1 1/2", 2" having inline body ports and inclined stem 2 1/2", 3" having inline body ports and perpendicular stem
• Material Body, Stem and Seat Seat, Seal Operator	CF8, SS 304 (optional CF3M, SS 316L) PTFE, NBR (optional PEEK, VITON) Corrosion resistive glass filled Nylon
• Surface Finish	< 3.2 micron, Electro polished
• Port Type	Threaded/ Socket Weld end/ Triclamp/ ANSI Flange/ Pipe weld
• Operator	SS 303 insert for port and Solenoid valve mounting
• Pilot Pressure	0.8 - 10 bar (Refer Pages 12 to 23)
• Pilot Fluid	Air, Inert Gas filtered to 50 micron

APPLICATION

Air Drying Equipment, Autoclave, Bottling and Dispensing Equipment, Chemical and Petrochemical Industries, Coolant Control for Machine Tool, Formulation machine, Fuel, Ink and Paint dispensing, Industrial Compressor, Laundry equipment, Nuclear energy, Pollution Control equipment, Process Control application, Power generation, Paper and Pulp Industries, PSA Plants, Pharmaceutical, Steam, Sterilizer, Textile Dyeing and Drying.

PRESSURE TEMPERATURE CHART

Angle Seat Valve intended to be installed in an area where PED is applicable, the valve should be connected to a lower fluid pressure as indicated in the table hereunder or as mentioned in the operating parameter table on pages 12, 14, 18, 22

DN	Class	Maximum Fluid Pressure kg/cm ²					PED Applicable
		-10 °C To Room Temp.	50 °C	100 °C	150 °C	200 °C	
12	B40	≤25	≤25	≤25	≤25	≤25	Not Applicable
20	B40	≤25	≤25	≤25	≤25	≤25	Not Applicable
25	B40	≤25	≤25	≤25	≤25	≤25	Not Applicable
32	B25	24.5	23.2	20.8	19.0	17.6	Yes
40	B20	19.6	19.0	16.7	15.2	14.1	Yes
50	B25	24.5	23.7	20.8	19.6	17.6	Yes
65	B40	≤25	≤25	≤25	≤25	≤25	Yes
80	B40	≤15	≤15	≤15	≤15	≤15	Yes

STROKE LIMITER

FEATURES

- Ideal for application demanding preset flow adjustment
- Can be retrofitted at site
- Adjust stroke for Valve opening from 0% to 100%
- Can be adapted to Single/ Double acting Angle Seat Valve

SPECIFICATION

- Stainless Steel 304 bolt

ORDERING CODE

SL50	Stroke Limiter For Ø50 Operator
SL63	Stroke Limiter For Ø63 Operator
SL90	Stroke Limiter For Ø90 Operator
SL110	Stroke Limiter For Ø110 Operator



POSITION SENSOR FOR SINGLE ACTING NORMALLY CLOSED VALVE

FEATURES

- Can be retrofitted at site
- Can be installed on single acting Normally Closed Valve function F1 or F6

SPECIFICATION

- Positioning Sensor for single acting Normally Closed Valve
- **Type** : PSSA
 - **Ambient Temperature** : -10 °C to 60 °C
 - **Element type** : Micro Switch rating 3Amp
 - **Cable entry** : Suitable for 9 mm OD cable
 - **Contact** : SPDT

ORDERING CODE

PSSA 50	Suitable for Ø50 Operator, Function F1 or F6
PSSA 63	Suitable for Ø63 Operator, Function F1 or F6
PSSA 90	Suitable for Ø90 Operator, Function F1 or F6
PSSA 110	Suitable for Ø110 Operator, Function F1 or F6



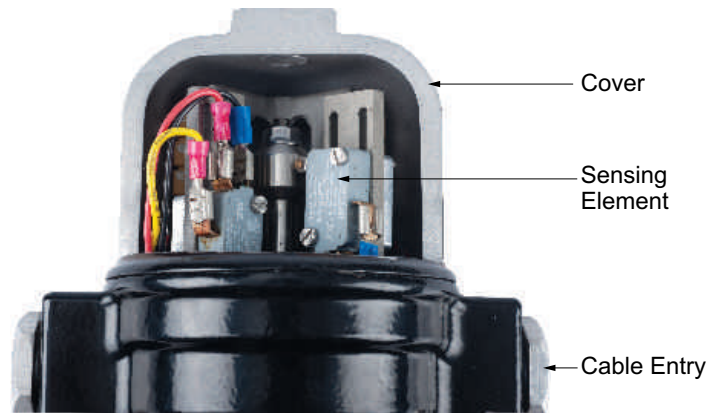
POSITION SENSOR BOX (Should be ordered along with Valve)

FEATURES

- Adjustable Sensing elements
- Suitable for Single/ Double acting Normally Close/ Open valve

SPECIFICATION

- **Enclosure Material** : Aluminium cast WP/ Ex ia, Powder Coated, IP67
- **Sensing Element** : Micro Switch/ Proximity Sensor
- **Cable Entry** : 2 X M25 X 1.5



SENSING ELEMENT

Model	LS-21	LS-41
Make	Honey well	
No.	2 nos. (One each for Open & Close position)	4 nos. (Two each for Open & Close position)
Type of Element	Micro switch	
Rating	5 Amp AC, 0.5 Amp DC	

Model	LS-22	LS-42
Make	Pepperl+Fuchs	
No.	2 nos. (One each for Open & Close position)	4 nos. (Two each for Open & Close position)
Type of Element	Proximity switch (EEx ia) NJ2-V3-N	
Rating	8V DC, 3mA, NC	

Model	LS-23	LS-43
Make	Pepperl+Fuchs	
No.	2 nos. (One each for Open & Close position)	4 nos. (Two each for Open & Close position)
Type of Element	Proximity switch	
Rating	10-60V, 100mA, NO	

SOLENOID VALVE (Can be ordered Separately)

APPROVALS



SPECIFICATION (Refer pages 16, 20 & 24 for Solenoid Valve code)

VALVE

- **Pressure** : 10 bar
- **Port connection** : 1/4" BSP
- **Body Material** : Aluminium hard Anodised
- **Seat Seal** : NBR

SOLENOID

- **Voltage Current** : 24V DC, 110V 50-60 Hz, 230V 50-60 Hz
- **Power** : 8W/ 2W/ 1W
- **Protection** : Weather Proof IP67
Explosion Proof Ex d, Ex ia, Ex e mb, IIC T6, IP67
- **Cable Entry** : Pg 9, M20X1.5, 1/2" NPT, M25X1.5

VALVE TYPE	POWER	FUNCTION		PORT CONNECTION		WEATHER PROOF, IP67			EXPLOSION PROOF IIC, IP 66/ IP67					
		F1/F2/F6	F4	STANDARD P1	NAMUR P2	PLUG IN	PLUG IN	TERMINAL BOX	Ex d		Ex ia		Ex e mb	
						22	22S	16/19	37/39	87	66	67	65 CR	58
	05	5	✓	✓	✓		✓							
	04	8	✓	✓	✓	✓		✓	✓	✓	✓			✓
	16	8	✓	✓	✓	✓		✓	✓	✓				✓
	17	2	✓	✓	✓	✓		✓	✓					✓
	18	1	✓	✓	✓							✓	✓	
	06	8		✓	✓	✓		✓	✓	✓				✓
	12	2		✓	✓	✓		✓	✓					✓
	13	1		✓	✓							✓	✓	
	07	8		✓	✓	✓		✓	✓	✓				✓
	14	2		✓	✓	✓		✓	✓					✓
	15	1		✓	✓							✓	✓	
	01	8	✓		✓	✓		✓	✓	✓				✓
	02	8	✓	✓	✓	✓		✓	✓	✓				✓
	08	2	✓	✓	✓	✓		✓	✓					✓
	10	1	✓	✓	✓							✓	✓	
	03	8	✓	✓	✓	✓		✓	✓	✓				✓
	09	2	✓	✓	✓	✓		✓	✓					✓
	11	1	✓	✓	✓							✓	✓	

VALVE TYPE	BASIC MODEL
01	30106
02	51424
03	57450
04	30125

VALVE TYPE	BASIC MODEL
05	305
06	51440
07	57440
08	51424LW

VALVE TYPE	BASIC MODEL
09	57450LW
10	51424IS
11	57450IS
12	51440LW

VALVE TYPE	BASIC MODEL
13	51440IS
14	57440LW
15	57440IS
16	31119

VALVE TYPE	BASIC MODEL
17	31119LW
18	31119IS

OPERATING PARAMETERS

DN Operator	Function	DN	Actuator Ø	Connection	Kv m ³ /h	Single Acting Normally Closed Bi-Directional					
						Pressure Above Plug			Pressure below Plug		
						Pilot Pressure	Fluid Pressure (bar)		Pilot Pressure	Fluid Pressure (bar)	
							Up to 10 bar	AV, AW, AP, AF #300		AK, AF #150	Up to 10 bar
12050V01	F1	12	50	1/2"	5.8	4.4	0	0	4.4	0	0
						5	16	16	4.4	16	16
						5.4	25		4.4	25	
20050V01	F1	20	50	3/4"	10.8	4.6	0	0	4.6	0	0
						5.5	16	16	4	8	8
						6	25				
20063V01	F6	20	63	3/4"	10.8	5.4	0	0	5.4	0	0
						5.6	16	16	4.9	16	16
						5.7	25		4.4	25	
25050V01	F1	25	50	1"	21	4.3	0	0	4.3	0	0
						6.8	16	16	4.2	5	5
						8.2	25				
25063V01	F6	25	63	1"	21	5.4	0	0	5.4	0	0
						5.6	16	16	4.9	16	16
						5.8	25				
32063V01	F6	32	63	1 1/4"	31	5.2	0	0	5.2	0	0
						6.2	12	16	4.4	12	12
						7.3	25				
32090V02	F1	32	90	1 1/4"	31	2.2	0	0	2.2	0	0
						3.6	16	16	2.2	2	2
						4.4	25				
40063V01	F1	40	63	1 1/2"	49	3	0	0	3	0	0
						8.2	16	16	2	2	2
						10	21				
40063V01	F6	40	63	1 1/2"	49	5.4	0	0	5.4	0	0
						8.4	12	12	4.8	4	4
						10	18				
40090V02	F1	40	110	1 1/2"	49	2.3	0	0	2.3	0	0
						4.2	16	16	1.4	1.4	1.4
						5.3	25				
40090V02	F6	40	110	1 1/2"	49	7	0	0	7	0	0
						7.4	16	16	6.2	14	14
						7.7	25				

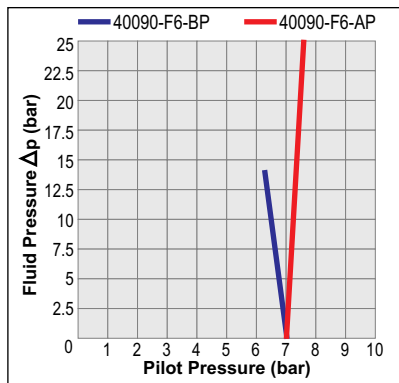
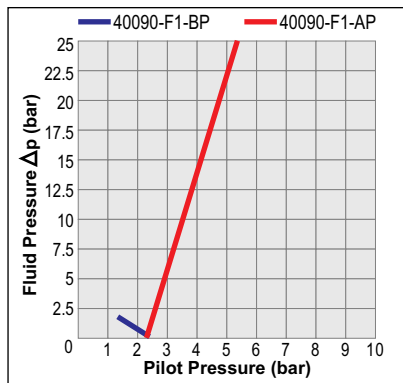
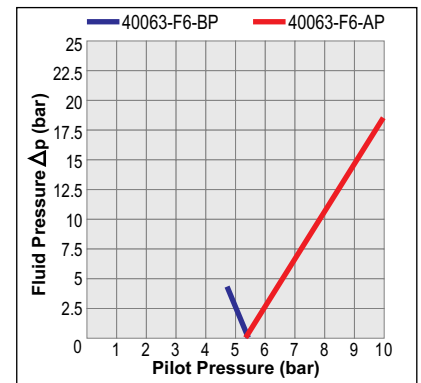
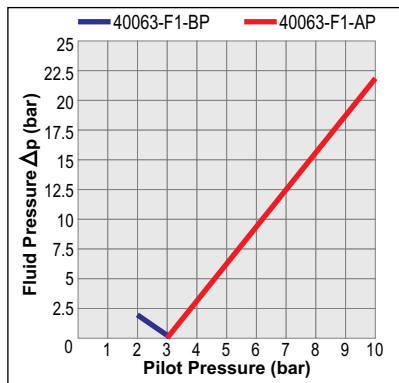
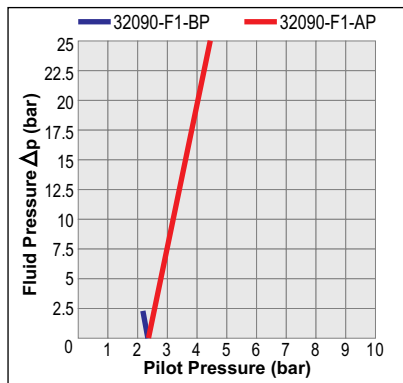
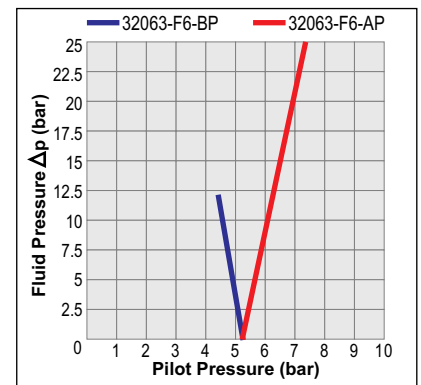
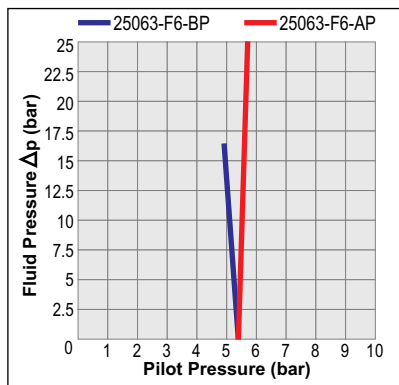
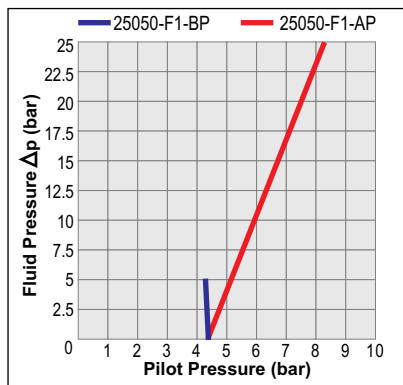
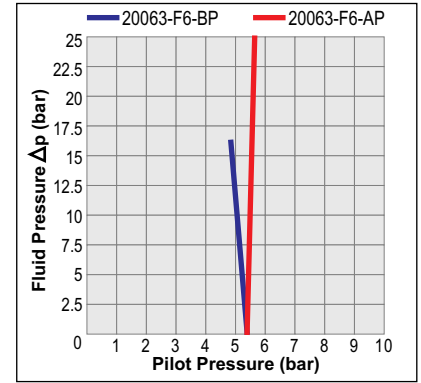
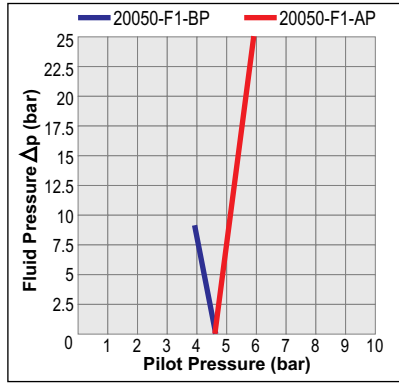
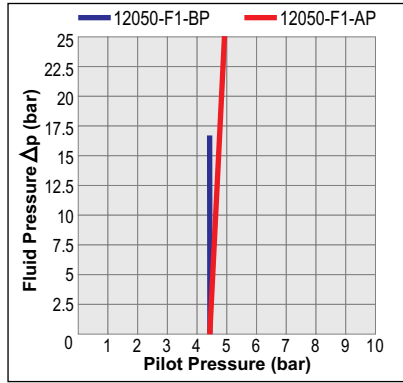
Note :

1. For PED certified valves, maximum fluid pressure is limited to minimum value specified in pressure temperature chart on page 8 or table above
2. Valve with F5 function using 5/2 solenoid valve should be replaced by valve with F1 function operated by 5/2 valve
3. Valve with F3 function should be replaced by selecting suitable valve meeting operating parameter of main fluid pressure above, below seat and pilot pressure

ANGLE SEAT VALVE

F1/ F6 SINGLE ACTING NORMALLY CLOSED

OPERATING PARAMETERS



OPERATING PARAMETERS

DN Operator	Function	DN	Actuator Ø	Connection	Kv m ³ /h	Single Acting Normally Closed Bi-Directional					
						Pressure Above Plug			Pressure below Plug		
						Pilot Pressure	Fluid Pressure (bar)		Pilot Pressure	Fluid Pressure (bar)	
							Up to 10 bar	AV, AW, AP, AF #300		AK, AF #150	Up to 10 bar
50063V01	F1	50	63	2"	68	2.8	0	0			
						7.6	10	10			
						10	14	14			
50090V02	F1	50	63	2"	68	2.3	0	0			
						5.8	16	16			
						7.8	25				
50090V02	F6	50	63	2"	68	6	0	0	6	0	0
						6.8	14	16	4.5	6	6
						7.5	25				
50110V01	F1	50	63	2"	68	1.4	0	0			
						4.2	16	16			
						5.8	25				
50110V01	F6	50	63	2"	68	6	0	0	6	0	0
						6.6	16	16	5.4	12	12
						6.9	25				
65090V02	F1	65	90	2 1/2"	120	2.2	0	0			
						8.5	12	12			
						10	14				
65110V01	F1	65	110	2 1/2"	120	1.4	0	0			
						6	16	16			
						8.6	25				
65110V01	F6	65	110	2 1/2"	120	4.2	0	0	4.2	0	0
						7.2	12	12	2.2	5	5
						10	23				
80110V01	F1	80	110	3"	185	1.6	0	0			
						6.6	10	10			
						10	16				
80110V01	F6	80	110	3"	185	4	0	0	4	0	0
						6.4	8	8	1	4	4
						10	19				

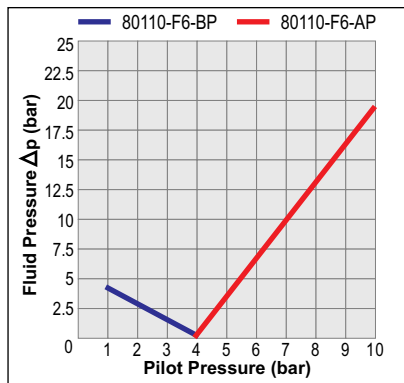
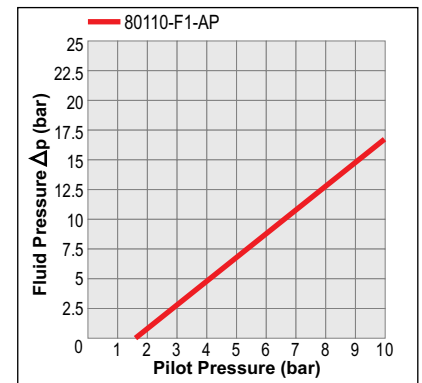
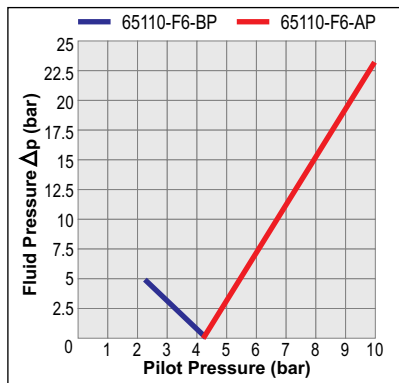
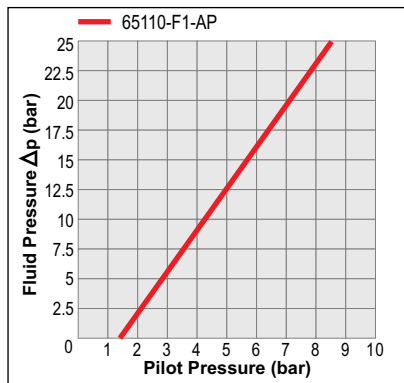
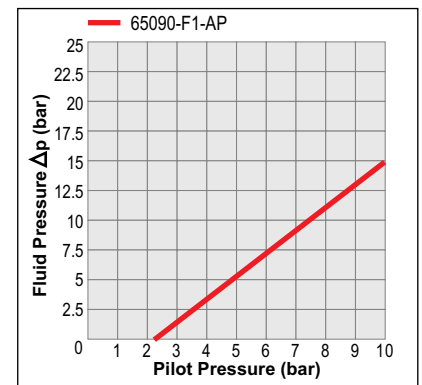
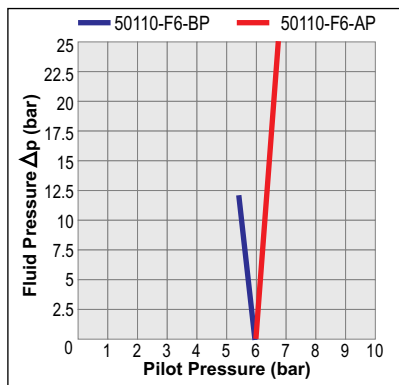
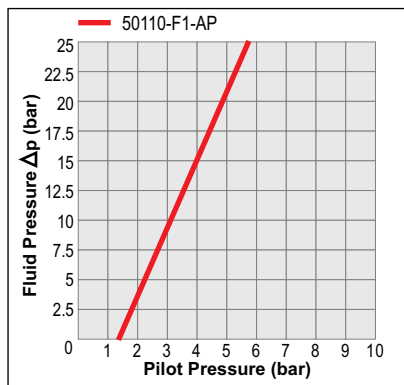
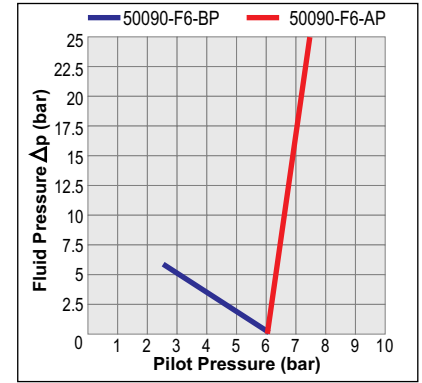
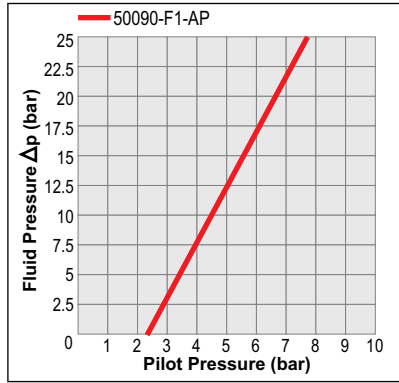
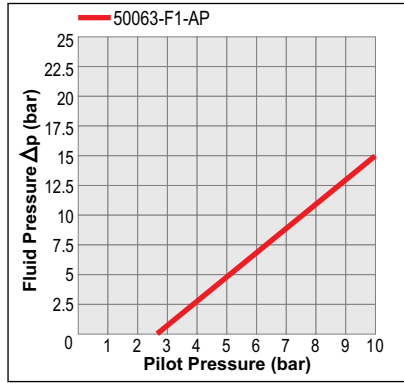
Note :

1. For PED certified valves, maximum fluid pressure is limited to minimum value specified in pressure temperature chart on page 8 or table above
2. Valve with F5 function using 5/2 solenoid valve should be replaced by valve with F1 function operated by 5/2 port valve
3. Valve with F3 function should be replaced by selecting suitable valve meeting operating parameter of main fluid pressure above, below seat and pilot pressure

ANGLE SEAT VALVE

F1/ F6 SINGLE ACTING NORMALLY CLOSED

OPERATING PARAMETERS



ANGLE SEAT VALVE

SINGLE ACTING NORMALLY CLOSED F1/ F6

ORDERING CODE

1	2 - 3	4	5	6	7	8	9
PORT TYPE	DN OPERATOR - FUNCTION	PILOT	SEAL SEAT	PORT SIZE	BODY	SOLENOID VALVE	ACCESSORIES
AV	12050V01 - F1	P1	S17	4G	B14	02 37 C	PSSA50

1		2-3							
PORT TYPE		DN OPERATOR-FUNCTION							
CODE	DESCRIPTION	DN OPERATOR -FUNCTION	DN	OPERATOR	INLET	DN OPERATOR -FUNCTION	DN	OPERATOR	INLET
③ AV	Threaded Port	12050V01-F1	12	Ø50	Bi-Directional	50063V01-F1	50	Ø63	Above Plug
③ AF	Flanged ANSI # 150	20050V01-F1	20	Ø50	Bi-Directional	50090V02-F1	50	Ø90	Above Plug
③ AF300	Flanged ANSI # 300	20063V01-F6	20	Ø63	Bi-Directional	50090V02-F6	50	Ø90	Bi-Directional
③ AW	Weld Neck	25050V01-F1	25	Ø50	Bi-Directional	50110V01-F1	50	Ø110	Above Plug
③ AP	Pipe Weld	25063V01-F6	25	Ø63	Bi-Directional	50110V01-F6	50	Ø110	Bi-Directional
③ APM	Pipe Weld ISO1127	32063V01-F6	32	Ø63	Bi-Directional	65090V02-F1	65	Ø90	Above Plug
③ AK	Tri Clamp	32090V02-F1	32	Ø63	Bi-Directional	65110V01-F1	65	Ø110	Above Plug
② IV	Inline Threaded	40063V01-F1	40	Ø63	Bi-Directional	65110V01-F6	65	Ø110	Bi-Directional
② IF	Inline Flanged # 150	40063V01-F6	40	Ø63	Bi-Directional	80110V01-F1	80	Ø110	Above Plug
② IF300	Inline Flanged # 300	40090V02-F1	40	Ø90	Bi-Directional	80110V01-F6	80	Ø110	Bi-Directional
		40090V02-F6	40	Ø90	Bi-Directional				

4	
PILOT	
CODE	DESCRIPTION
P1	Clean Port
P2	NAMUR

5		
SEAL/ SEAT		
CODE	SEAL	SEAT
① ✖	NBR	PTFE
	S17	VITON PEEK

6					
④ PORT SIZE					
SIZE	BSP	NPT	SIZE	BSP	NPT
1/2"	4G	4R	1 1/2"	12G	12R
3/4"	6G	6R	2"	16G	16R
1"	8G	8R	2 1/2"	20G	20R
1 1/4"	10G	10R	3"	24G	24R

7	
BODY (INTERNAL)	
CODE	DESCRIPTION
① ✖	CF8 (SS 304)
B14	CF3M (SS 316L)

8								
SOLENOID VALVE (A B C) Refer to page 11 for more details								
A			B			C		
CODE	VALVE MODEL		CODE	COIL CODE		CODE	VOLTAGE	
① ✖	Solenoid Valve Not Required		① ✖	Solenoid Valve Not Required		① ✖	Solenoid Valve Not Required	
01	3/2 NAMUR Type 30106		Weather Proof IP67			A	24V DC, 8 WATT	
02	5/2 3/2 Convertible Single Solenoid NAMUR Type 51424		22	Plug In as per DIN 43650B		B	230V 50Hz, 6 WATT	
03	5/2 3/2 Convertible Double Solenoid NAMUR Type 57450		22S	Plug In as per DIN 43650B		C	110V 50Hz, 6 WATT	
04	3/2 Body Ported Type 30125		⑥ 19	Coil With Integral Terminal Box, Cable Entry M20 X1.5		⑦ D	24V DC, 2 WATT	
05	3/2 Direct Mount Type 305		Explosion Proof IP67			E	24V DC Ex ia	
⑦ 08	5/2 3/2 Convertible Single Solenoid NAMUR Low Power Type 51424LW2		39	Ex d, IIC, T4, Cable Entry M20 X 1.5				
⑦ 09	5/2 3/2 Convertible Double Solenoid Low Power NAMUR Type 57450LW2		37	Ex d, IIC, T4, Cable Entry 1/2" NPT (F)				
⑧ 11	5/2 3/2 Convertible Single Solenoid NAMUR Valve With Intrinsically Safe Coil Type 51424IS		⑥ 87MS	Ex d, IIC, T6, IIC, T6, Cable Entry M20X1.5				
⑧ 12	5/2 3/2 Convertible Double Solenoid NAMUR Valve With Intrinsically Safe Coil Type 57450IS		⑥ 58MS	Ex e mb, IIC, T6, Cable Entry M20X1.5				
			⑧ 65CR	Ex ia IIC, T6, Plug In as per DIN 43650A				
			⑧ 67MS	Ex ia, Integral Terminal Box, IIC, T6, Cable Entry M20 X 1.5				
			⑥ 66MS	Ex ia, IIC, T6, With Booster Circuit, Integral Terminal Box, Cable Entry M20 X 1.5				

Note : Contact Rotex for ordering code of solenoid valve having approval other than

ORDERING EXAMPLE (Solenoid Valve)

- 01 22 A >>> 3/2 NAMUR valve type 01 (basic model 30106), Aluminium Body, 1/4" BSP, with 24V DC DIN plug, IP67 coil
- 12 67NS E >>> 5/2, 3/2 Convertible Double Solenoid NAMUR valve type 12 (basic model 57450IS) Aluminium Body, 1/4" Port, with Intrinsically Safe, Ex ia IIC T6, IP67 Solenoid
- 08 37 D >>> 5/2 3/2 Convertible Single Solenoid NAMUR valve type 08 (basic model 51424) Aluminium Body, 1/4" BSP, with Explosion Proof Ex d IIC T6, IP67 Coil

ORDERING CODE

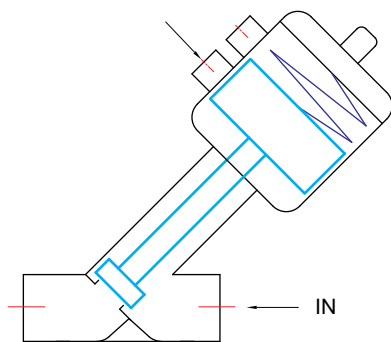
9				
ACCESSORIES (refer to page 9 & 10 for more details)			Sensing Element Qty.	
CODE	DESCRIPTION	OPEN	CLOSE	
① *	Transparent Indicating Dome	Nil	Nil	
PSSA50	Microswitch, SPDT, 3 AMP, NC/ NO for Operator Ø50	One	Nil	
PSSA63	Microswitch, SPDT, 3 AMP, NC/ NO for Operator Ø63	One	Nil	
PSSA90	Microswitch, SPDT, 3 AMP, NC/ NO for Operator Ø90	One	Nil	
PSSA110	Microswitch, SPDT, 3, AMP, NC/ NO for Operator Ø110	One	Nil	
SL50	Stroke Limiter for Operator Ø50			
SL63	Stroke Limiter for Operator Ø63			
SL90	Stroke Limiter for Operator Ø90			
SL110	Stroke Limiter for Operator Ø110			
LS21	Microswitch, 5 AMP AC, 0.5 AMP DC, SPDT, Make : Honeywell	One	One	
LS41	Microswitch, 5 AMP AC, 0.5 AMP DC, SPDT, Make : Honeywell	Two	Two	
LS22	Proximity Switch EEx ia, Type NJ2-V3-N, 8V DC, 3 mA, NC, Make: PEPPERL + FUCHS	One	One	
LS42	Proximity Switch EEx ia, Type NJ2-V3-N, 8V DC, 3 mA, NC, Make: PEPPERL + FUCHS	Two	Two	
LS23	Proximity Switch Weather Proof, 10V - 60V, 100 mA, NO	One	One	
LS43	Proximity Switch Weather Proof, 10V - 60V, 100 mA, NO	Two	Two	
⑨ VL15	Electronic Positioner, with feedback, single acting valve			
⑨ VL14	Intelligent Positioner, with feedback, single acting valve			
⑨ VL141	Intelligent Positioner, with feedback and process control Analog Input single acting valve			

Note

- ① Do not specify when opted
- ② DN Operator can be 65090/ 65110/ 80110
- ③ DN Operator can be other than 65090/ 65110/ 80110
- ④ Should be opted only for port type AV & IV
- ⑤ Solenoid valve type 6, 7, 8, 16, 17, 18 cannot be fitted on Valve
- ⑥ For 1/2" NPT Cable Entry, replace 19/ 87MS/ 58MS/ 67MS/ 66MS with 16/ 87NS/ 58NS/ 67NS/ 66NS
- ⑦ Valve type 08 & 09 can be supplied with coil voltage type D only
- ⑧ Select coil code 65CR/ 67MS/ 67NS and voltage E
- ⑨ Solenoid valve should not be opted

RECOMMENDED INSTALLATION

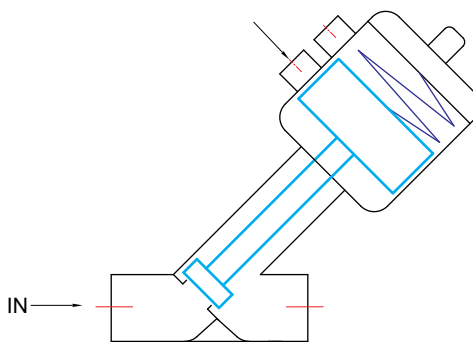
PRESSURE ABOVE SEAT



MEDIA

Gas, Steam, Air, Vacuum, LPG

PRESSURE BELOW SEAT



MEDIA

Gas, Air, Water, Vacuum, Oil, Liquid, Fuel

ORDERING EXAMPLE

AV25050V01-F1-P1-4G

25NB Single Acting Normally Closed Angle Seat valve having 1" BSP port connection, PTFE seat, Body and Wetted part CF8, SS 304 and Operator 50, Clean port, seals and O ring NBR

AV40090V02-F6-P2-S17-12R-B12-08 16MS D-PSSA90

40NB Single Acting Normally Closed Angle Seat Valve having 1 1/2" NPT threaded port connection, PEEK Seat, Body and wetted parts CF3M, SS 316L, Operator 90 NAMUR Ports, Seals and O ring VITON, along with Position Sensor Type PSSA90 having Cable entry PG9, SPDT Micro switch 3 AMP for sensing Open Position of the valve, with 5/2 3/2 Convertible Low Power Solenoid Valve, Body Material Aluminium Hard Anodised, Low Power Weather Proof Solenoid having integral Terminals Junction Box, Cable Entry M20X1.5, Voltage 24V DC, Power 2 Watt, Type 0816MSD

OPERATING PARAMETERS

DN Operator	DN	Actuator Ø	Connection	Kv m ³ /h	Single Acting Normally Open		
					Pressure Below Plug		
					Pilot Pressure	Fluid Pressure (bar)	
						Up to 10 bar	AV, AW, AP, AF #300
12050V01	12	50	1/2"	5.8	3.4	0	0
					5.8	16	16
					7.1	25	
20050V01	20	50	3/4"	10.8	3.5	0	0
					5.8	16	16
					7.1	25	
25050V01	25	50	1"	21	4.3	0	0
					6	12	12
					7.8	25	
25063V01	25	63	1"	21	2.8	0	0
					5.6	16	16
					7.2	25	
32063V01	32	63	1 1/4"	31	2.4	0	0
					6.8	16	16
					9.2	25	
40063V01	40	63	1 1/2"	49	3	0	0
					7	10	10
					10	17	
40090V02	40	110	1 1/2"	49	2	0	0
					5.2	16	16
					7	25	
50090V02	50	63	2"	68	2	0	0
					6.7	12	12
					10	20	
50110V01	50	63	2"	68	1.4	0	0
					4.4	16	16
					6.1	25	
65090V02	65	90	2 1/2"	120	1.4	0	0
					5.8	4	4
					10	7.8	
65110V01	65	110	2 1/2"	120	1.6	0	0
					6	12	12
					8.5	25	
80110V01	80	110	3"	185	1.4	0	0
					6.8	8	8
					10	13	

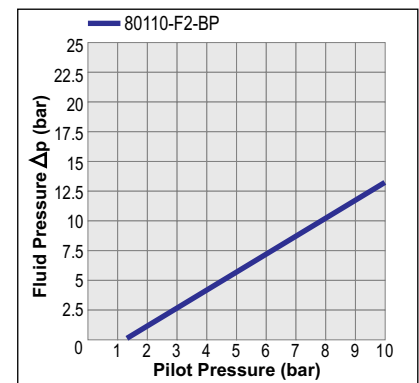
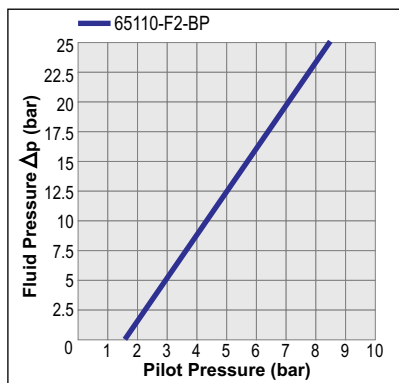
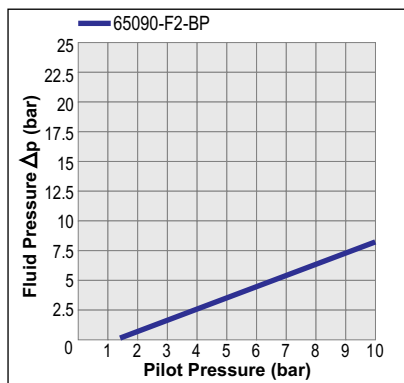
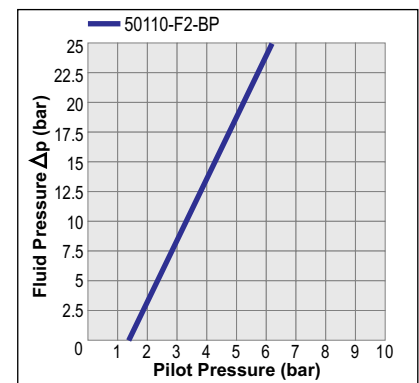
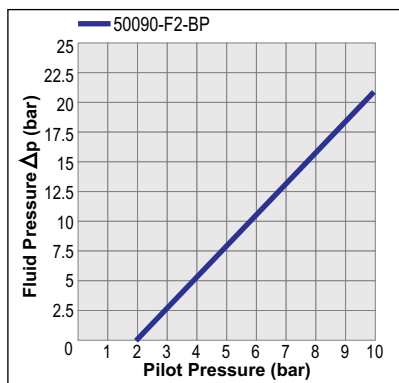
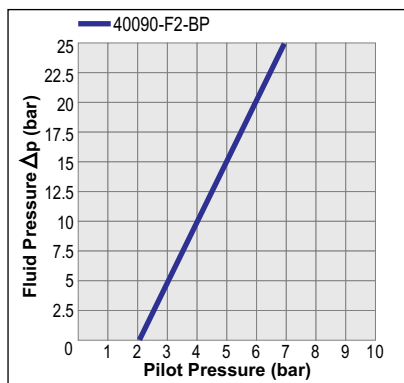
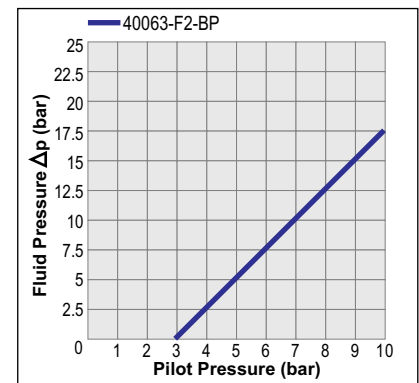
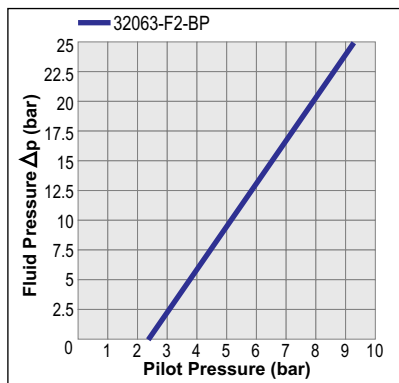
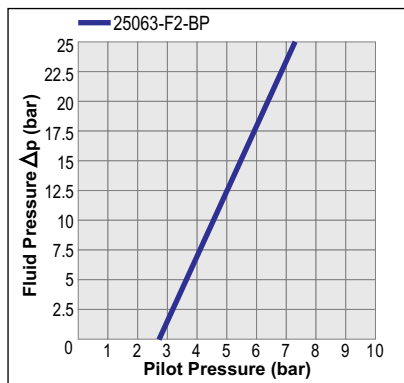
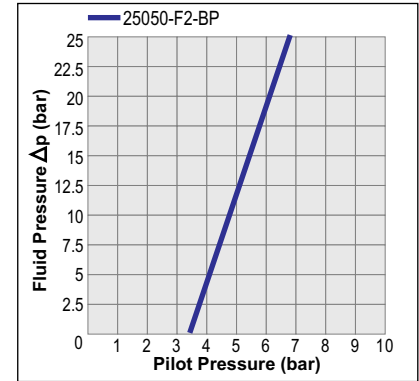
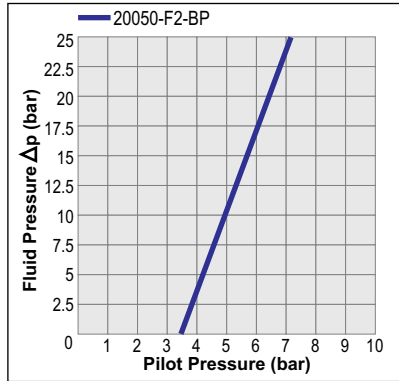
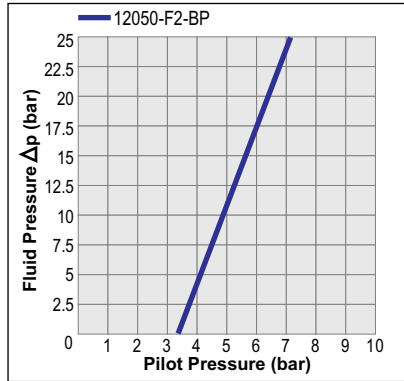
Note : For PED certified valves, maximum fluid pressure is limited to minimum value specified in pressure temperature chart on page 8 or table above

ANGLE SEAT VALVE

F2

SINGLE ACTING NORMALLY OPEN

OPERATING PARAMETERS



ANGLE SEAT VALVE

SINGLE ACTING NORMALLY OPEN

F2

ORDERING CODE

1	2	3	4	5	6	7	8	9
PORT TYPE	DN-OPERATOR	FUNCTION	PILOT	SEAL SEAT	PORT SIZE	BODY	SOLENOID VALVE	ACCESSORIES
AF300	25050V01	F2	P1	S17		B14	05 22S B	SL50

1		2						3	
PORT TYPE		DN-OPERATOR						FUNCTION	
CODE	DESCRIPTION	CODE	DN	OPERATOR	CODE	DN	OPERATOR	CODE	DESCRIPTION
③ AV	Threaded Port	12050V01	12	Ø50	40090V02	40	Ø90	F2	SINGLE ACTING NO
③ AF	Flanged ANSI # 150	20050V01	20	Ø50	50090V02	50	Ø90		
③ AF300	Flanged ANSI # 300	25050V01	25	Ø50	50110V01	50	Ø110		
③ AW	Weld Neck	25063V01	25	Ø63	65040V02	65	Ø90		
③ AP	Pipe Weld	32063V01	32	Ø63	65110V01	65	Ø110		
③ APM	Pipe Weld ISO1127	40063V01	40	Ø63	80110V01	80	Ø110		
③ AK	Tri Clamp								
② IV	Inline Threaded								
② IF	Inline Flanged # 150								
② IF300	Inline Flanged # 300								

4		5			6						7	
PILOT		SEAL/ SEAT			④ PORT SIZE						BODY (INTERNAL)	
CODE	DESCRIPTION	CODE	SEAL	SEAT	SIZE	BSP	NPT	SIZE	BSP	NPT	CODE	DESCRIPTION
P1	Clean Port	①*	NBR	PTFE	1/2"	4G	4R	1 1/2"	12G	12R	①*	CF8 (SS 304)
P2	NAMUR	S17	VITON	PEEK	3/4"	6G	6R	2"	16G	16R	B14	CF3M (SS 316L)
					1"	8G	8R	2 1/2"	20G	20R		
					1 1/4"	10G	10R	3"	24G	24R		

8											
SOLENOID VALVE (A B C) Refer to page 11 for more details											
A				B				C			
CODE	VALVE MODEL			CODE	COIL CODE			CODE	VOLTAGE		
①*	Solenoid Valve Not Required			①*	Solenoid Valve Not Required			①*	Solenoid Valve Not Required		
01	3/2 NAMUR Type 30106			Weather Proof IP67							
02	5/2 3/2 Convertible Single Solenoid NAMUR Type 51424			22	Plug In as per DIN 43650B			A	24V DC, 8 WATT		
03	5/2 3/2 Convertible Double Solenoid NAMUR Type 57450			22S	Plug In as per DIN 43650B			B	230V 50Hz, 6 WATT		
04	3/2 Body Ported Type 30125			⑥ 19	Coil With Integral Terminal Box, Cable Entry M20 X1.5			C	110V 50Hz, 6 WATT		
05	3/2 Direct Mount Type 305			Explosion Proof IP67							
⑦ 08	5/2 3/2 Convertible Single Solenoid NAMUR Low Power Type 51424LW2			39	Ex d, IIC, T4, Cable Entry M20 X 1.5			⑦ D	24V DC, 2 WATT		
⑦ 09	5/2 3/2 Convertible Double Solenoid Low Power NAMUR Type 57450LW2			37	Ex d, IIC, T4, Cable Entry 1/2" NPT (F)			E	24V DC Ex ia		
⑧ 11	5/2 3/2 Convertible Single Solenoid NAMUR Valve With Intrinsically Safe Coil Type 51424IS			⑥ 87MS	Ex d, IIC, T6, IIC, T6, Cable Entry M20X1.5						
⑧ 12	5/2 3/2 Convertible Double Solenoid NAMUR Valve With Intrinsically Safe Coil Type 57450IS			⑥ 58MS	Ex e mb, IIC, T6, Cable Entry M20X1.5						
				⑧ 65CR	Ex ia IIC, T6, Plug In as per DIN 43650A						
				⑧ 67MS	Ex ia, Integral Terminal Box, IIC, T6, Cable Entry M20 X 1.5						
				⑥ 66MS	Ex ia, IIC, T6, With Booster Circuit, Integral Terminal Box, Cable Entry M20 X 1.5						

ORDERING EXAMPLE (Solenoid Valve)

- 01 22 A >>> 3/2 NAMUR valve type 01 (basic model 30106) Aluminium Body, 1/4" BSP, 24V DC with DIN plug coil, IP67
- 12 67NS E >>> 5/2, 3/2 Convertible Double Solenoid NAMUR valve type 12 (basic model 57450IS) Aluminium Body, 1/4" Port, with Intrinsically Safe, Ex ia IIC T6, IP67 Solenoid
- 08 37 D >>> 5/2 3/2 Convertible Single Solenoid NAMUR valve type 08 (basic model 51424) Aluminium Body, 1/4" BSP, with Explosion Proof Ex d IIC T6, IP67 Coil

ORDERING CODE

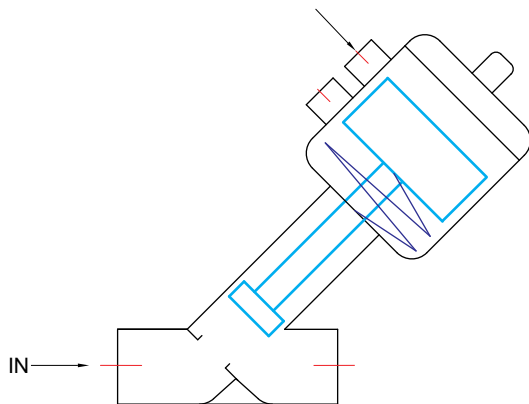
9				
ACCESSORIES (refer to page 9 & 10 for more details)			Sensing Element Qty.	
CODE	DESCRIPTION		OPEN	CLOSE
① ×	Transparent Indicating Dome			
SL50	Stroke Limiter for Operator Ø50			
SL63	Stroke Limiter for Operator Ø63			
SL90	Stroke Limiter for Operator Ø90			
SL110	Stroke Limiter for Operator Ø110			
LS21	Microswitch, 5 AMP AC, 0.5 AMP DC, SPDT, Make : Honeywell		One	One
LS41	Microswitch, 5 AMP AC, 0.5 AMP DC, SPDT, Make : Honeywell		Two	Two
LS22	Proximity Switch EEx ia, Type NJ2-V3-N, 8V DC, 3 mA, NC, Make: PEPPERL + FUCHS		One	One
LS42	Proximity Switch EEx ia, Type NJ2-V3-N, 8V DC, 3 mA, NC, Make: PEPPERL + FUCHS		Two	Two
LS23	Proximity Switch Weather Proof, 10V - 60V, 100 mA, NO		One	One
LS43	Proximity Switch Weather Proof, 10V - 60V, 100 mA, NO		Two	Two
⑨ VL15	Electronic Positioner, with feedback, single acting valve			
⑨ VL14	Intelligent Positioner, with feedback, single acting valve			
⑨ VL141	Intelligent Positioner, with feedback and process control Analog Input single acting valve			

Note

- ① Do not specify when opted
- ② DN Operator can be 65090/ 65110/ 80110
- ③ DN Operator can be other than 65090/ 65110/ 80110
- ④ Should be opted only for port type AV & IV
- ⑤ Solenoid valve type 6, 7, 8, 16, 17, 18 cannot be fitted on Valve
- ⑥ For 1/2" NPT Cable Entry, replace 19/ 87MS/ 58MS/ 67MS/ 66MS with 16/ 87NS/ 58NS/ 67NS/ 66NS
- ⑦ Valve type 08 & 09 can be supplied with coil voltage type D only
- ⑧ Select coil code 65CR/ 67MS/ 67NS and voltage E
- ⑨ Solenoid valve should not be opted

CONNECTION DETAIL/ RECOMMENDED INSTALLATION

PRESSURE BELOW SEAT



MEDIA

Steam, Air, Oil, Water, Fuel Gas and Liquid, Vacuum

ORDERING EXAMPLE

AV50090V02-F2-P1-16G

50NB Single Acting Normally Open Angle Seat valve having 2" BSP port connection, PTFE seat, Body and wetted part CF8, SS 304 and Operator 90, Clean port, seals and O ring NBR

AV40090V02-F2-P2-S17-12R-B12-0237C-SL90

40NB Single Acting Normally Open Angle Seat Valve having 1 1/2" NPT threaded port connection, PEEK Seat, Body and wetted parts CF3M, SS 316L, Operator 90 NAMUR Ports, Seals and O ring VITON, along with Stroke limiter Type SL90 with 5/2 3/2 Convertible NAMUR Solenoid Valve, Body Material Aluminium Hard Anodised, fitted with, Explosion proof solenoid Ex d IIC T6, having cable entry 1/2" NPT, Voltage 110V AC, 6 Watt, Type 0237C

OPERATING PARAMETERS

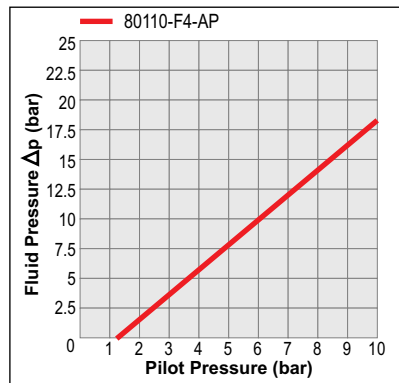
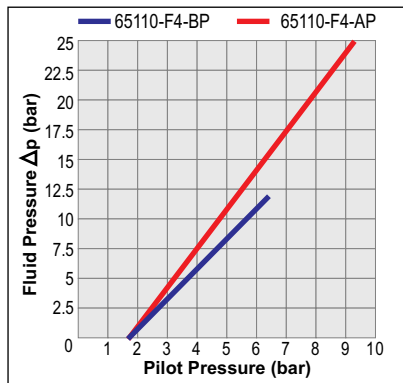
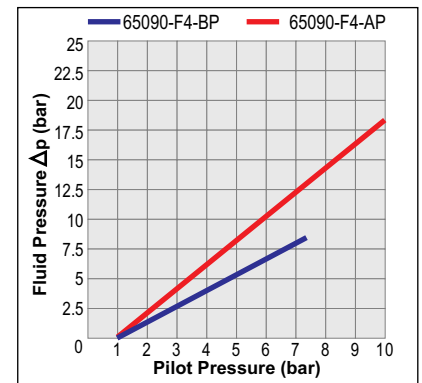
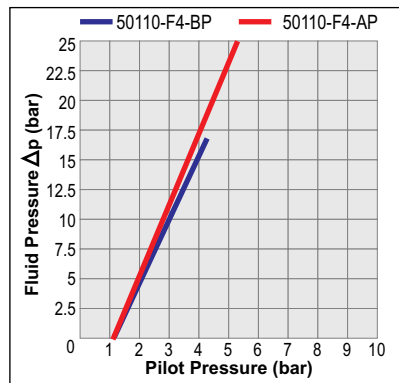
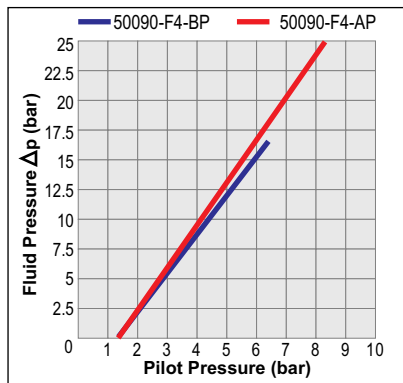
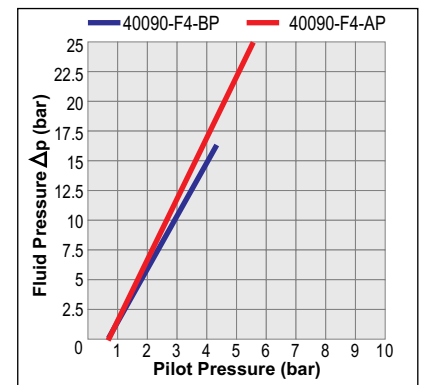
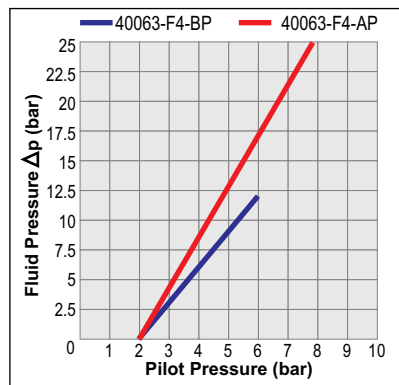
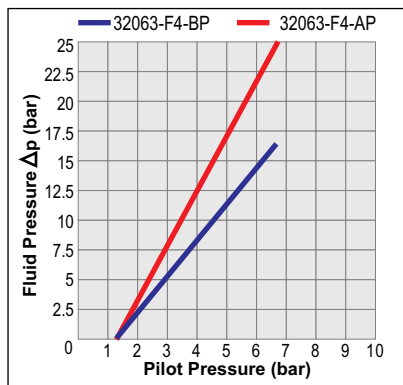
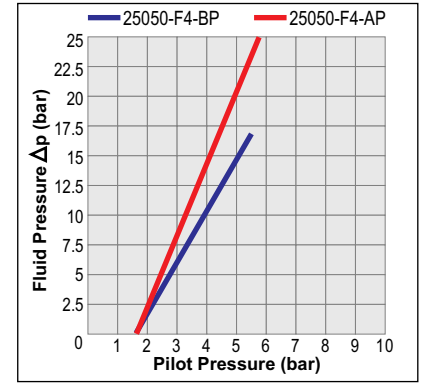
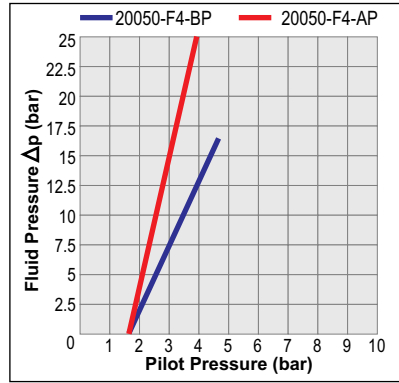
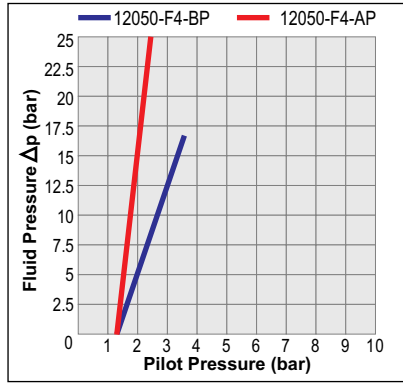
DN Operator	DN	Actuator Ø	Connection	Kv m ³ /h	Double Acting Bi-Directional Universal					
					Pressure Above Plug			Pressure Below Plug		
					Pilot Pressure	Fluid Pressure		Pilot Pressure	Fluid Pressure	
						Up to 10 bar	AV, AW, AP, AF #300		AK, AF #150	Up to 10 bar
12050V01	12	50	1/2"	5.8	1.2	0	0	1.2	0	0
					2	16	16	3.4	16	16
					2.5	25				
20050V01	20	50	3/4"	10.8	1.8	0	0	1.8	0	0
					3.2	16	16	4.6	16	16
					4	25				
25050V01	25	50	1"	21	1.8	0	0	1.8	0	0
					4.4	16	16	5.2	16	16
					5.8	25				
32063V01	32	63	1 1/4"	31	1.2	0	0	1.2	0	0
					4.8	16	16	6.6	16	16
					6.8	25				
40063V01	40	63	1 1/2"	49	2	0	0	2.0	0	0
					5.8	16	16	6.0	12	12
					7.9	25				
40090V02	40	110	1 1/2"	49	0.8	0	0	0.8	0	0
					3.8	16	16	4.2	16	16
					5.5	25				
50090V02	50	63	2"	68	1.4	0	0	1.4	0	0
					5.8	16	16	6.2	16	16
					8.3	25				
50110V01	50	63	2"	68	1.1	0	0	1.1	0	0
					3.8	16	16	4.0	16	16
65090V02	65	90	2 1/2"	120	1	0	0	1.0	0	0
					7	12	12	7.2	8	2
					10	18	12	12.0		
65110V01	65	110	2 1/2"	120	1.8	0	0	1.8	0	0
					6	14	14	6.6	12	12
					9.2	25				
80110V01	80	110	3"	185	1.3	0	0			
					7	12	12			
					10	18				

Note : For PED certified valves, maximum fluid pressure is limited to minimum value specified in pressure temperature chart on page 8 or table above

ANGLE SEAT VALVE

F4 DOUBLE ACTING BI-DIRECTIONAL UNIVERSAL

OPERATING PARAMETERS



ANGLE SEAT VALVE

DOUBLE ACTING BI-DIRECTIONAL UNIVERSAL F4

ORDERING CODE

1	2	3	4	5	6	7	8	9
PORT TYPE	DN-OPERATOR	FUNCTION	PILOT	SEAL SEAT	PORT SIZE	BODY	SOLENOID VALVE	ACCESSORIES
AV	12050V01	F4	P2	S17	4G	B14	12 67NS E	LS21

1	2	3
PORT TYPE	DN-OPERATOR	FUNCTION
CODE	CODE	CODE
DESCRIPTION	DN OPERATOR	DESCRIPTION
③ AV Threaded Port	12050V01 12 Ø50	F4 DOUBLE ACTING UNIVERSAL
③ AF Flanged ANSI # 150	20050V01 20 Ø50	
③ AF300 Flanged ANSI # 300	25050V01 25 Ø50	
③ AW Weld Neck	32063V01 32 Ø63	
③ AP Pipe Weld	40063V01 40 Ø63	
③ APM Pipe Weld ISO1127	40090V02 40 Ø90	
③ AK Tri Clamp		
② IV Inline Threaded		
② IF Inline Flanged # 150		
② IF300 Inline Flanged # 300		

4	5	6	7
PILOT	SEAL/ SEAT	④ PORT SIZE	BODY (INTERNAL)
CODE	CODE	SIZE	CODE
DESCRIPTION	SEAL SEAT	BSP NPT	DESCRIPTION
P1 Clean Port	① * NBR PTFE	1/2" 4G 4R 11/2" 12G 12R	① * CF8 (SS 304)
P2 NAMUR	S17 VITON PEEK	3/4" 6G 6R 2" 16G 16R	B14 CF3M (SS 316L)
		1" 8G 8R 21/2" 20G 20R	
		11/4" 10G 10R 3" 24G 24R	

8					
SOLENOID VALVE (A B C) Refer to page 11 for more details					
A		B		C	
CODE	VALVE MODEL	CODE	COIL CODE	CODE	VOLTAGE
① *	Solenoid Valve Not Required	① *	Solenoid Valve Not Required	① *	Solenoid Valve Not Required
02	5/2 3/2 Convertible Single Solenoid NAMUR Type 51424	Weather Proof IP67		A	24V DC, 8 WATT
03	5/2 3/2 Convertible Double Solenoid NAMUR Type 57450	22	Plug In as per DIN 43650B	B	230V 50Hz, 6 WATT
⑦ 08	5/2 3/2 Convertible Single Solenoid NAMUR Low Power Type 51424LW2	22S	Plug In as per DIN 43650B	C	110V 50Hz, 6 WATT
⑦ 09	5/2 3/2 Convertible Double Solenoid Low Power NAMUR Type 57450LW2	⑥ 19	Coil With Integral Terminal Box, Cable Entry M20 X 1.5	⑦ D	24V DC, 2 WATT
⑧ 11	5/2 3/2 Convertible Single Solenoid NAMUR Valve With Intrinsically Safe Coil Type 51424IS	Explosion Proof IP67		E	24V DC Ex ia
⑧ 12	5/2 3/2 Convertible Double Solenoid NAMUR Valve With Intrinsically Safe Coil Type 57450IS	39	Ex d, IIC, T4, Cable Entry M20 X 1.5		
		37	Ex d, IIC, T4, Cable Entry 1/2" NPT (F)		
		⑥ 87MS	Ex d, IIC, T6, IIC, T6, Cable Entry M20X1.5		
		⑥ 58MS	Ex e mb, IIC, T6, Cable Entry M20X1.5		
		⑧ 65CR	Ex ia IIC, T6, Plug In as per DIN 43650A		
		⑧ 67MS	Ex ia, Integral Terminal Box, IIC, T6, Cable Entry M20 X 1.5		
		⑥ 66MS	Ex ia, IIC, T6, With Booster Circuit, Integral Terminal Box, Cable Entry M20 X 1.5		

ORDERING EXAMPLE (Solenoid Valve)

- 02 22 B >>> 5/2 Convertible NAMUR valve type 02 (basic model 51424) Aluminium Body, 1/4" BSP, 230V 50Hz with DIN plug IP67 coil
- 12 67NS E >>> 5/2, 3/2 Convertible Double Solenoid NAMUR valve type 12 (basic model 57450IS) Aluminium Body, 1/4" Port, with Intrinsically Safe, Ex ia IIC T6, IP67 Solenoid
- 08 37 D >>> 5/2 3/2 Convertible Single Solenoid NAMUR valve type 08 (basic model 51424) Aluminium Body, 1/4" BSP, with Explosion Proof Ex d IIC T6, IP67 Coil

ANGLE SEAT VALVE

F4 DOUBLE ACTING BI-DIRECTIONAL UNIVERSAL

ORDERING CODE

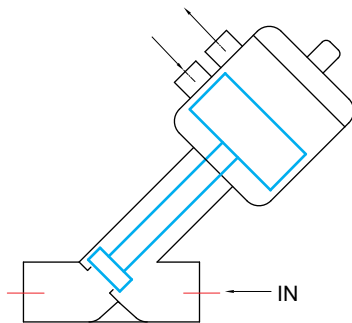
9				
ACCESSORIES (refer to page 9 & 10 for more details)			Sensing Element Qty.	
CODE	DESCRIPTION		OPEN	CLOSE
① ✳	Transparent Indicating Dome			
SL50	Stroke Limiter for Operator Ø50			
SL63	Stroke Limiter for Operator Ø63			
SL90	Stroke Limiter for Operator Ø90			
SL110	Stroke Limiter for Operator Ø110			
LS21	Microswitch, 5 AMP AC, 0.5 AMP DC, SPDT, Make : Honeywell	One	One	
LS41	Microswitch, 5 AMP AC, 0.5 AMP DC, SPDT, Make : Honeywell	Two	Two	
LS22	Proximity Switch EEx ia, Type NJ2-V3-N, 8V DC, 3 mA, NC, Make: PEPPERL + FUCHS	One	One	
LS42	Proximity Switch EEx ia, Type NJ2-V3-N, 8V DC, 3 mA, NC, Make: PEPPERL + FUCHS	Two	Two	
LS23	Proximity Switch Weather Proof, 10V - 60V, 100 mA, NO	One	One	
LS43	Proximity Switch Weather Proof, 10V - 60V, 100 mA, NO	Two	Two	
⑨ VL14D	Intelligent Positioner, with feedback, double acting valve			
⑨ VL141D	Intelligent Positioner, with feedback and process control Analog Input double acting valve			

Note

- ① Do not specify when opted
- ② DN Operator can be 65090/ 65110/ 80110
- ③ DN Operator can be other than 65090/ 65110/ 80110
- ④ Should be opted only for port type AV & IV
- ⑤ Solenoid valve type 31119/ 51400 cannot be fitted on Valve
- ⑥ For 1/2" NPT Cable Entry, replace 19/ 87MS/ 58MS/ 67MS/ 66MS with 16/ 87NS/ 58NS/ 67NS/ 66NS
- ⑦ Valve type 08 & 09 can be supplied with coil voltage type D only
- ⑧ Valve type 11 & 12 can be supplied with coil code 65CR/ 67MS/ 67NS only
- ⑨ Solenoid valve should not be opted

CONNECTION DETAIL/ RECOMMENDED INSTALLATION

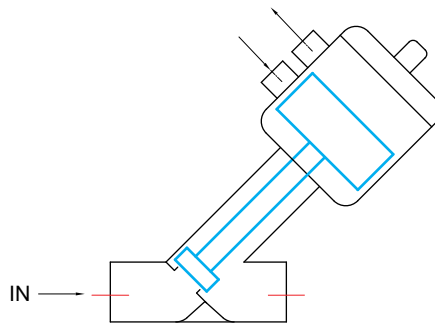
Normally close Pressure Above Seat



MEDIA

Gas, Steam, Air, Vacuum,
LPG

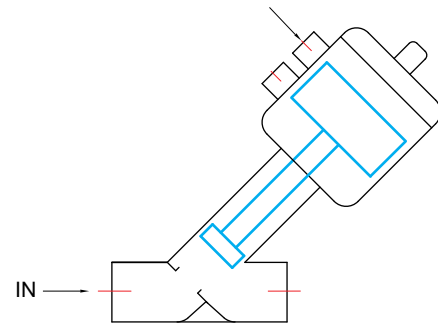
Normally close Pressure Below Seat



MEDIA

Gas, Air, Water, Vacuum, Oil,
Liquid, Fuel

Normally open Pressure Below Seat



MEDIA

Steam, Air, Oil, Water, Fuel
Gas and Liquid, Vacuum

ORDERING EXAMPLE

AV32063V01-F4-P1-16G

32NB Double Acting Bi-Directional Universal Angle Seat valve having 11/4" BSP port connection, PTFE seat, Body and wetted part CF8, SS 304 and Operator 63, Clean port, seals and O ring NBR

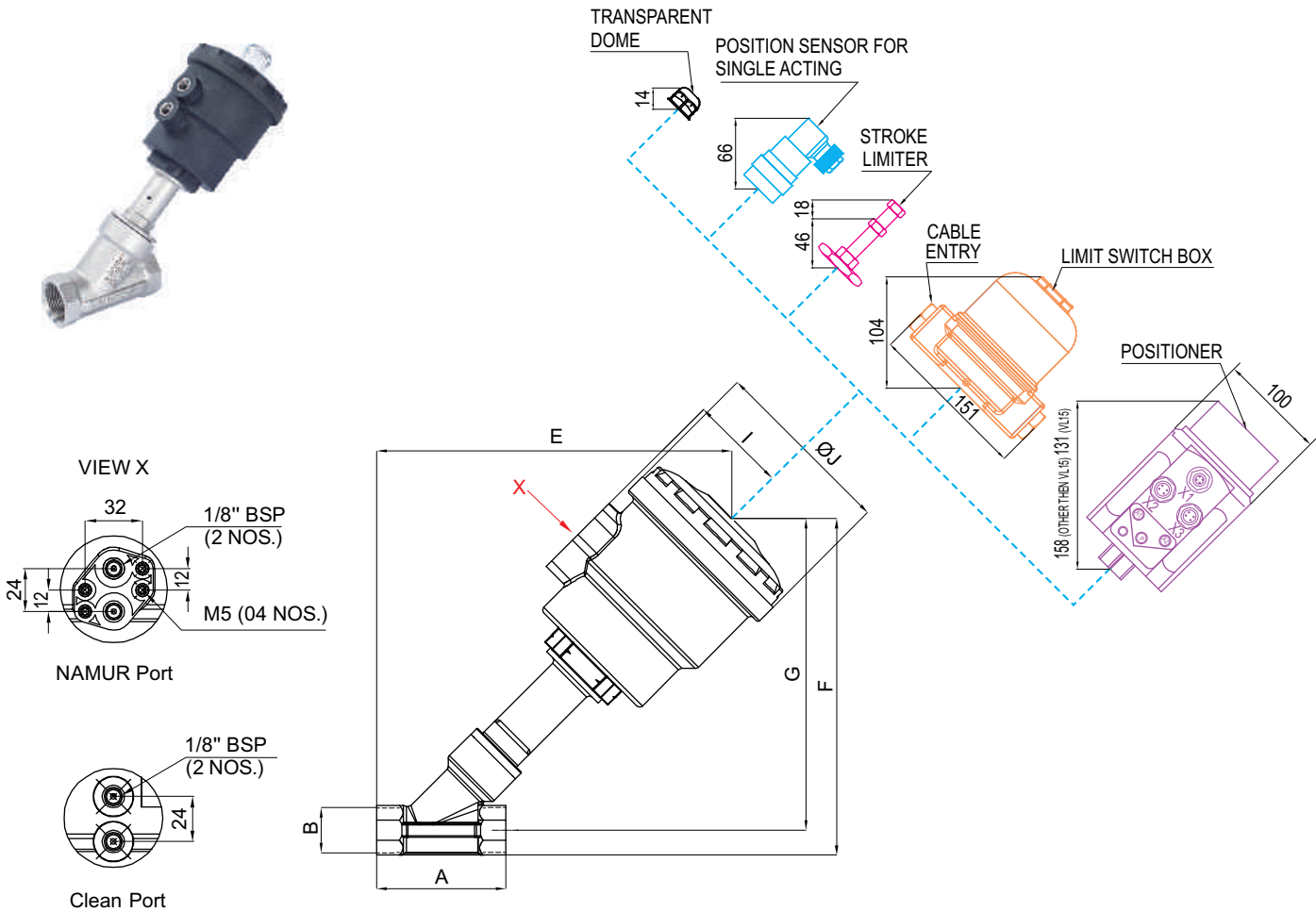
AF25050V01-F4-P2-S17-B12-11 67NS E-LS22

25NB Double Acting Bi-Directional Universal Angle Seat Valve having 25NB RF #150 flanged port connection, PEEK Seat, Body and wetted parts CF3M, SS 316L, Operator diameter 50 mm having NAMUR Ports, Seals and O ring VITON, along with position sensor box having Powder coated Aluminium Cast enclosure, One number each Micro Switch, SPDT, 5AMP for AC, 0.5 AMP for DC, to sense Open and Close position of the valve, Cable Entry 2 Number M25 X 1.5 mm Type LS21 with 5/2 3/2 Convertible NAMUR Solenoid Valve with Intrinsically safe Solenoid, Body Material Aluminium Hard Anodised, fitted with, Explosion proof solenoid Ex ia IIC T6, having cable entry 1/2" NPT, Voltage 24V DC, Type 1167NSE

ANGLE SEAT VALVE
TYPE AV

DIMENSIONS

TYPE AV : Threaded ports as per ISO 228/1 and ISO 7/1



(All dimensions are in mm)

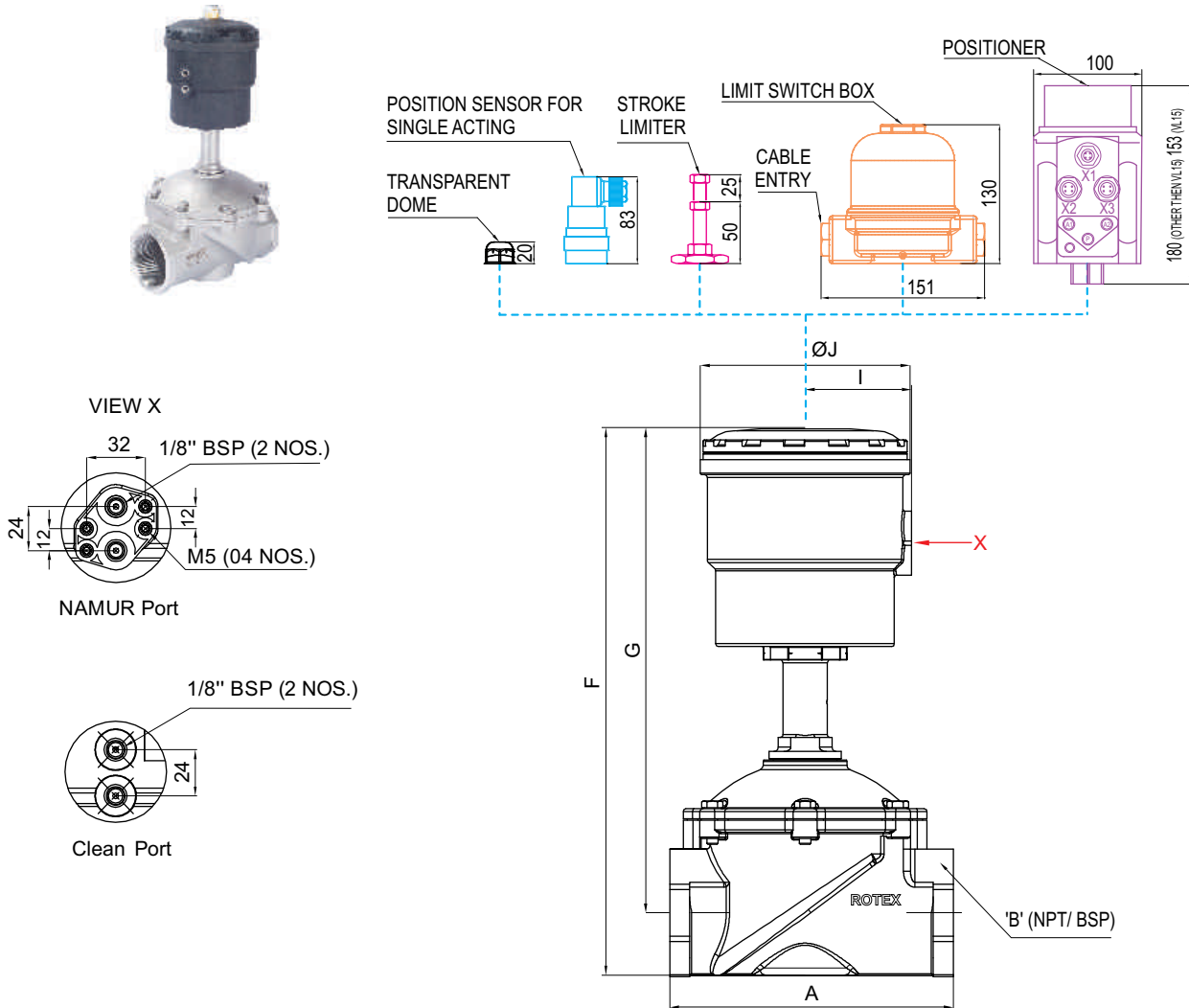
Type	DN	Actuator Ø	A	B BSP/ NPT	E	F	G	ØJ	I	kg.
AV12050V01	12	50	65	1/2"	167	158	146	75	42	1
AV20050V01	20	50	75	3/4"	171	161	145	75	42	1.1
AV20063V01	10	63	75	3/4"	185	174	158	93	49	1.3
AV25050V01	25	50	90	1"	177	165	145	75	42	1.4
AV25063V01	25	63	90	1"	190	179	158	93	49	1.6
AV32063V01	32	63	110	1 1/4"	200	188	162	93	49	2.1
AV32090V02	32	90	110	1 1/4"	233	220	196	124	67	3.2
AV40063V01	40	63	120	1 1/2"	205	199	169	93	49	2.9
AV40090V02	40	90	120	1 1/2"	235	229	199	124	67	3.9
AV50063V01	50	63	150	2"	233	218	183	93	49	3.6
AV50090V02	50	90	150	2"	263	248	213	124	67	4.3
AV50110V01	50	110	150	2"	283	248	232	148	75	6.3

ANGLE SEAT VALVE

TYPE IV

DIMENSIONS

TYPE IV : Threaded ports as per ISO 228/1 and ISO 7/1



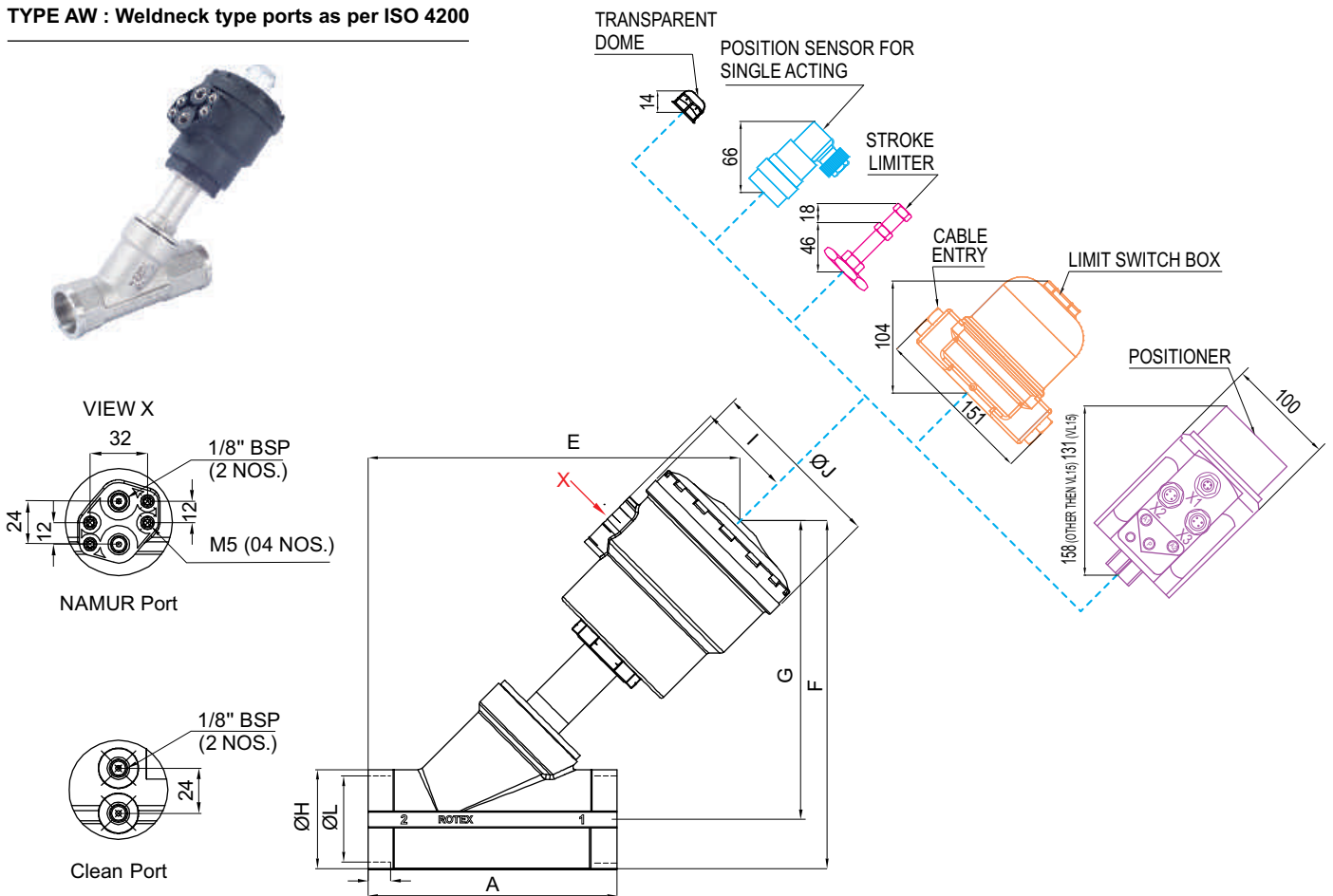
(All dimensions are in mm)

Type	DN	Actuator Ø	A	B BSP/ NPT	F	G	ØJ	I	kg.
IV65090V02	65	90	200	2 1/2"	361	316	124	67	9.1
IV65110V01	65	110	200	2 1/2"	391	316	148	75	10.0
IV80110V01	80	110	235	3"	415	363	148	75	15.3

**ANGLE SEAT VALVE
TYPE AW**

DIMENSIONS

TYPE AW : Weldneck type ports as per ISO 4200



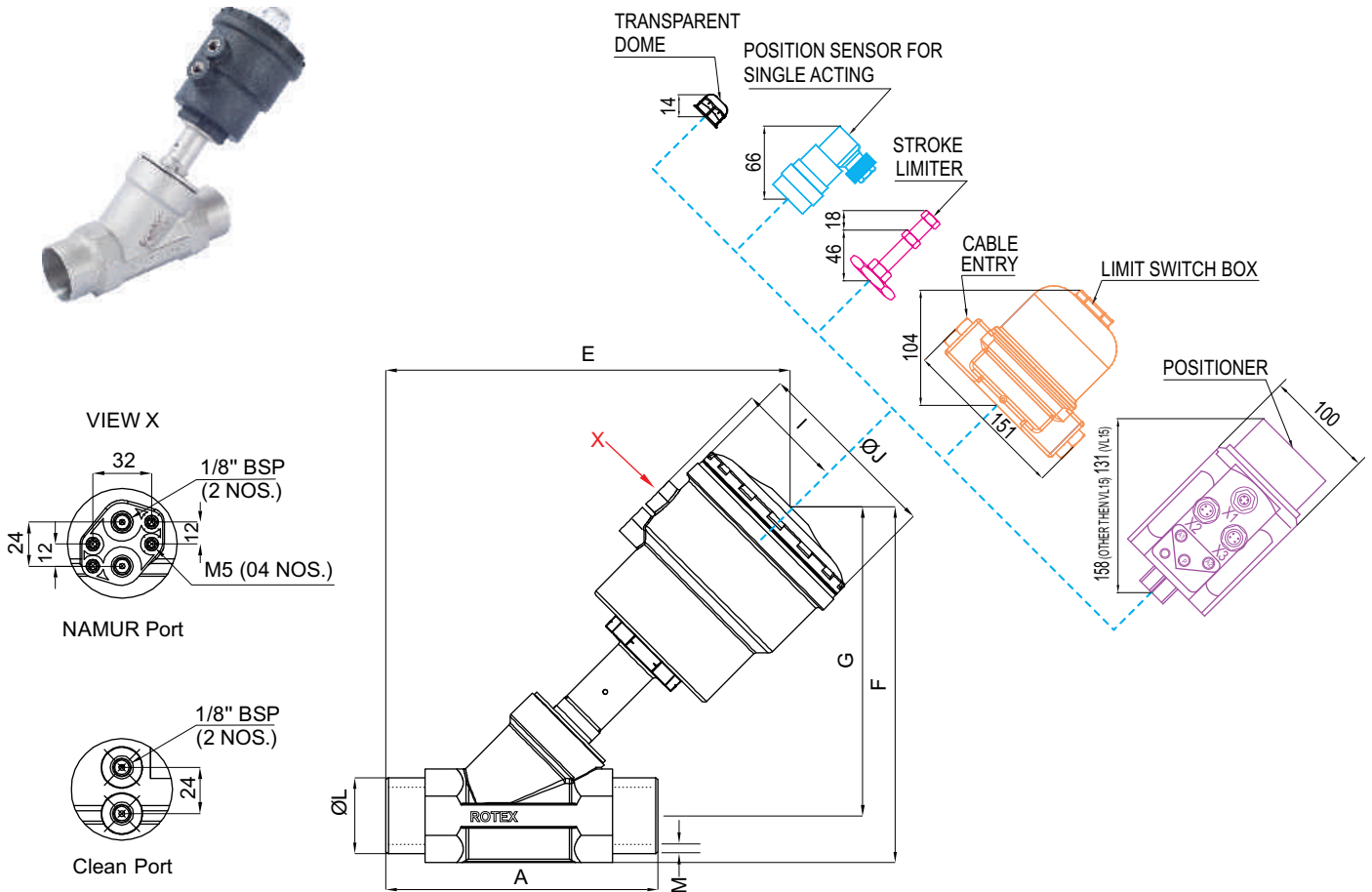
(All dimensions are in mm)

Type	DN	Actuator Ø	A	E	F	G	ØJ	I	ØH	ØL	kg.
AW12050V01	12	50	100	167	158	146	75	42	24	21.3	1
AW20050V01	20	50	115	171	161	145	75	42	31	26.9	1.1
AW20063V01	20	63	115	185	174	158	93	49	31	26.9	1.5
AW25050V01	25	50	130	177	165	145	75	42	39	33.7	1.4
AW25063V01	25	63	130	190	179	158	93	49	39	33.7	1.6
AW32063V01	32	63	145	200	188	162	93	49	49	42.4	2.1
AW32090V02	32	90	145	233	220	196	124	67	49	42.4	4
AW40063V01	40	63	160	205	199	169	93	49	57	48.3	2.9
AW40090V02	40	90	160	235	229	199	124	67	57	48.3	4.3
AW50063V01	50	63	175	233	218	183	93	49	69	60.3	3.8
AW50090V02	50	90	175	263	248	213	124	67	69	60.3	5.5
AW50110V01	50	110	175	283	248	232	148	75	69	60.3	6.7
IW65090V02	65	90	CONTACT ROTEX								
IW65110V01	65	110									
IW80110V01	80	110									

ANGLE SEAT VALVE TYPE AP/ APM

DIMENSIONS

TYPE AP : Butt weld for pipe as per ANSI 36.1, B 36.19 Sch 40
TYPE APM : Butt weld for pipe as per ISO 1127

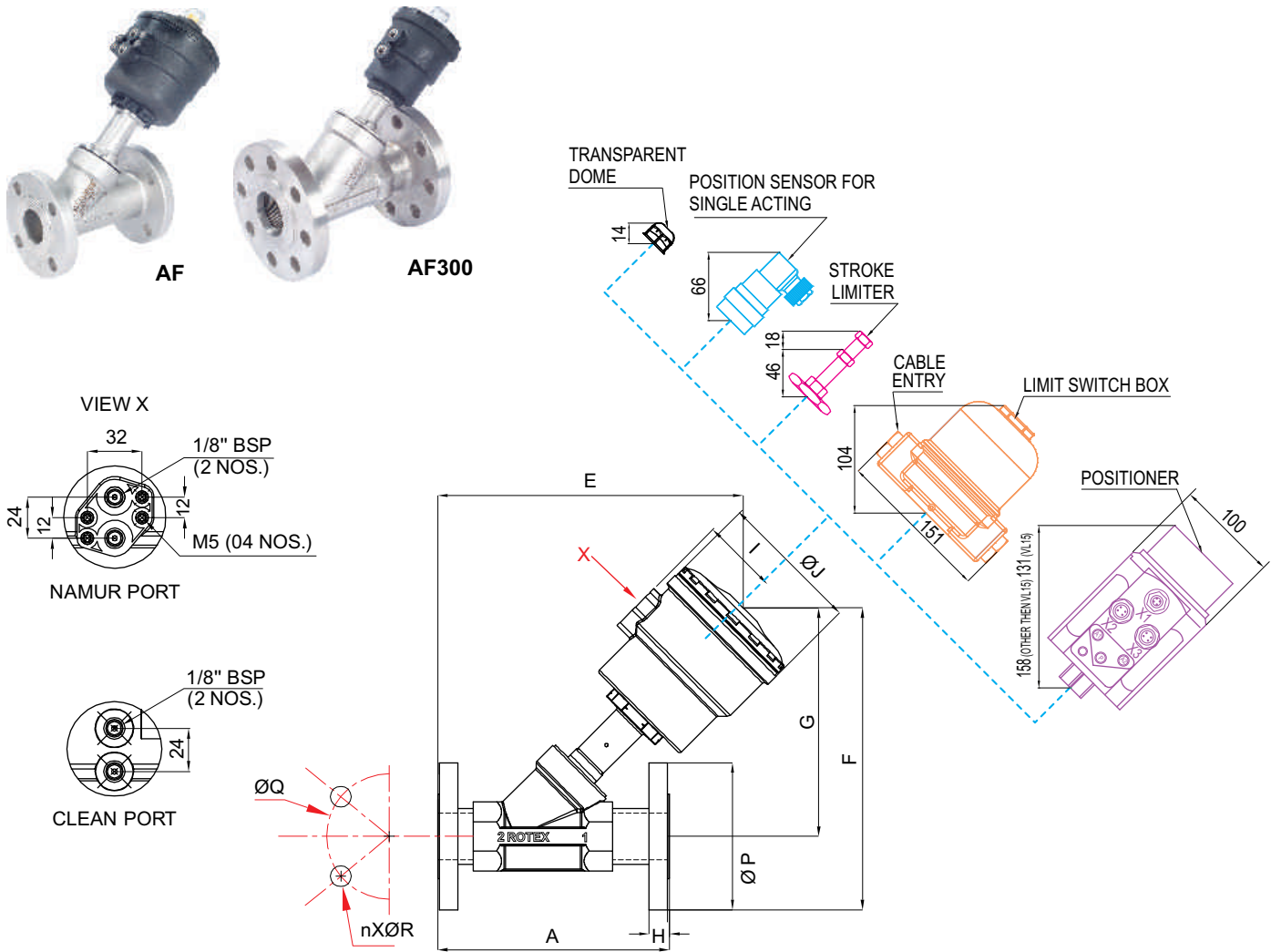


(All dimensions are in mm)

Type	DN	Actuator Ø	A	E	F	G	ØJ	I	kg.	AP		APM	
										ØL	M	ØL	M
AP/APM12050V01	12	50	115	192	158	146	75	42	1	15.8	2.8	18.1	1.6
AP/APM20050V01	20	50	125	196	161	145	75	42	1.2	21	2.9	23.7	1.6
AP/APM20063V01	20	63	125	210	174	158	93	49	1.5	21	2.9	23.7	1.6
AP/APM25050V01	25	50	140	202	165	145	75	42	1.6	26.6	3.4	29.7	2
AP/APM25063V01	25	63	140	215	179	158	93	49	1.8	26.6	3.4	29.7	2
AP/APM32063V01	32	63	160	225	188	162	93	49	2.3	35.1	3.6	38.4	2
AP/APM32090V02	32	90	160	258	220	196	124	67	3.3	35.1	3.6	38.4	2
AP/APM40063V01	40	63	170	230	199	169	93	49	3	40.9	3.7	44.3	2
AP/APM40090V02	40	90	170	260	229	199	124	67	3.2	40.9	3.7	44.3	2
AP/APM50063V01	50	63	200	258	218	183	93	49	3.8	52.5	3.9	56.3	2
AP/APM50090V02	50	90	200	288	248	213	124	67	4.8	52.5	3.9	56.3	2
AP/APM50110V01	50	110	200	308	248	232	148	75	6.6	52.5	3.9	56.3	2
IP/IPM65090V02	65	90	CONTACT ROTEX										
IP/IPM65110V01	65	110											
IP/IPM80110V01	80	110											

DIMENSIONS

TYPE AF : Flange connection as per ASME 16.5 (#150-RF), Face to Face distance as per ASME 16.5
TYPE AF300: Flange connection as per ASME 16.5 (#300-RF), Face to Face distance as per ASME 16.5



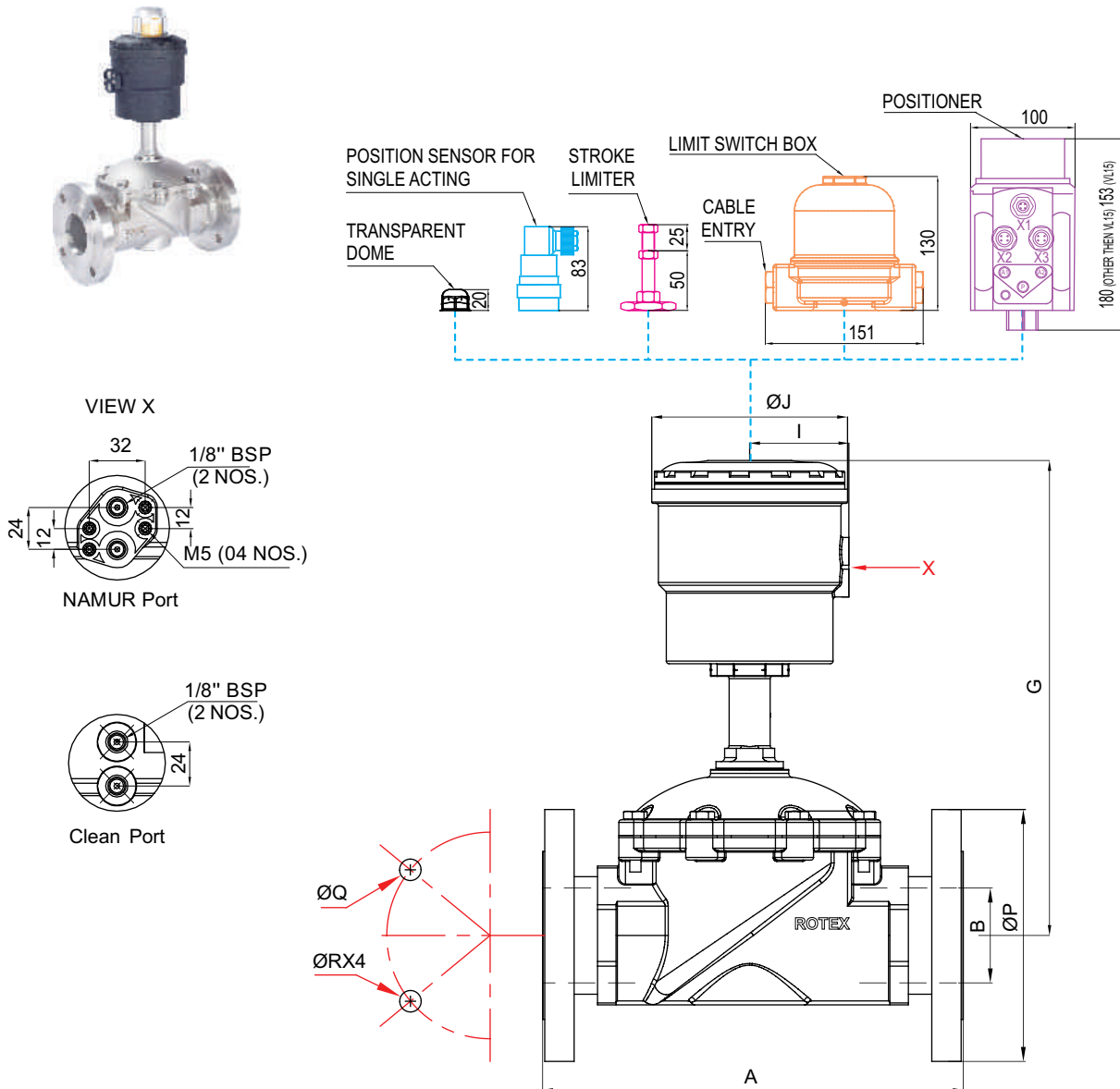
(All dimensions are in mm)

Type	DN	Actuator Ø	G	ØJ	I	AF						AF300							
						A	E	ØP	ØQ	nxØR	H	kg.	A	E	ØP	ØQ	nxØR	H	kg.
AF/AF300 12050V01	12	50	146	75	42	108	178	89	60.3	4x15.8	11.2	1.8	139.7	191	222.3	66.7	4x15.7	14.2	2.1
AF/AF300 20050V01	20	50	145	75	42	117.5	184	98	69.8	4x15.8	12.7	3	152.4	181	117.3	82.6	4x19.0	15.7	3.5
AF/AF300 20063V01	20	63	158	93	49	117.5	196	98	69.8	4x15.8	12.7	2.9	152.4	196	117.3	82.6	4x19.0	15.7	3.4
AF/AF300 25050V01	25	50	145	75	42	127	188	108	79.4	4x15.8	14.3	3	165.1	181	124.0	88.9	4x19.0	17.5	3.5
AF/AF300 25063V01	25	63	158	93	49	127	200	108	79.4	4x15.8	14.3	4.2	165.1	195	124.0	88.9	4x19.0	17.5	4.2
AF/AF300 32063V01	32	63	162	93	49	140	205	118	88.9	4x15.8	15.9	4.7	177.8	200	133.4	98.4	4x19.0	19.0	4.8
AF/AF300 32090V02	32	90	196	124	67	140	246	118	88.9	4x15.8	15.9	5.8	177.8	245	133.4	98.4	4x19.0	19.0	5.9
AF/AF300 40063V01	40	63	169	93	49	165	212	127	98.4	4x15.8	17.5	5.5	190.5	211	155.4	114.3	4x22.3	20.5	6.6
AF/AF300 40090V02	40	90	199	124	67	165	249	127	98.4	4x15.8	17.5	6.5	190.5	240	155.4	114.3	4x22.3	20.5	7.5
AF/AF300 50063V01	50	63	183	93	49	178	240	152	120.6	4x19	19.1	8.2	215.9	240	166.1	127.0	8x19.05	21.3	8.8
AF/AF300 50090V02	50	90	213	124	67	178	277	152	120.6	4x19	19.1	9.1	215.9	269	165.1	127.0	8x19.05	22.3	9.1
AF/AF300 50110V01	50	110	232	148	75	178	319	152	120.6	4x19	19.1	10.1	215.9	287	165.1	127.0	8x19.05	22.3	10.8

ANGLE SEAT VALVE TYPE IF/ IF300

DIMENSIONS

TYPE IF : Flange connection as per ASME #150RF
TYPE IF300 : Flange connection as per ASME #300RF

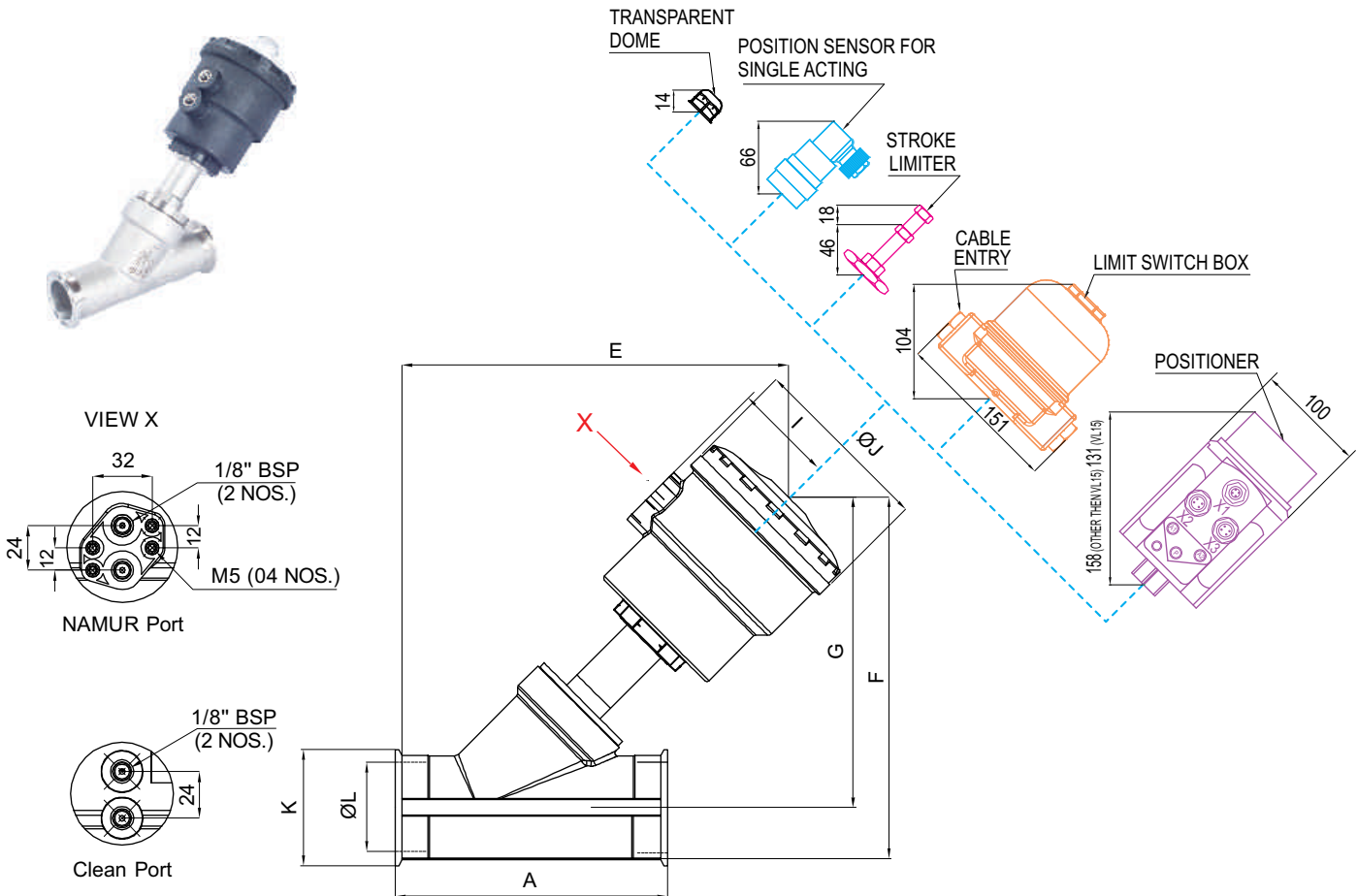


(All dimensions are in mm)

Type	DN	Actuator Ø	A	B	G	ØJ	I	IF					IF300				
								H	ØP	ØQ	n x ØR	kg.	H	ØP	ØQ	n x ØR	kg.
IF/IF300 65090V02	65	90	288	63.5	316	124	67	223	178	139.7	4x19	14	25.4	190.5	149.2	8x22.3	14.6
IF/IF300 65110V01	65	110	288	63.5	316	148	75	223	178	139.7	4x19	16.0	25.4	190.5	149.2	8x22.3	16.7
IF/IF300 80110V01	80	110	323	76.2	363	148	75	239	190	152.4	4x19	20.5	28.4	209.6	168.3	8x22.3	21.2

DIMENSIONS

TYPE AK : Triclamp end as per ISO 2852



(All dimensions are in mm)

Type	DN	Actuator Ø	A	E	F	G	ØJ	I	ØL	ØK	kg.
AK12050V01	12	50	100	168	163	146	75	42	18.1	34	1
AK20050V01	20	50	115	174	171	145	75	42	23.7	50.5	1.3
AK20063V01	20	63	115	183	184	158	93	49	23.7	50.5	1.5
AK25050V01	25	50	130	177	171	145	75	42	29.7	50.5	1.5
AK25063V01	25	63	130	197	184	158	93	49	29.7	50.5	1.7
AK32063V01	32	63	145	205	188	162	93	49	38.4	50.5	2.1
AK32090V02	32	90	145	248	222	196	124	67	38.4	50.5	3.2
AK40063V01	40	63	160	212	201	169	93	49	44.3	64	3
AK40090V02	40	90	160	250	231	199	124	67	44.3	64	4.1
AK50063V01	50	63	190	240	222	183	93	49	55.7	77.5	3.7
AK50090V02	50	90	190	278	252	213	124	67	55.7	77.5	5.3
AK50110V01	50	110	190	316	271	232	148	75	55.7	77.5	6.5
IK65090V02	65	90	CONTACT ROTEX								
IK65110V01	65	110									
IK80110V01	80	110									



Valve with Proximity Sensor suitable for Single/ Double Acting



Valve with Flanged end & Position Sensor box, IP67



Valve with Metallic Operator, Media and Pilot 32 bar Hydraulic Oil



Valve with Weld Neck Port as per ANSI/ ASME B 36.10 and B 36.19

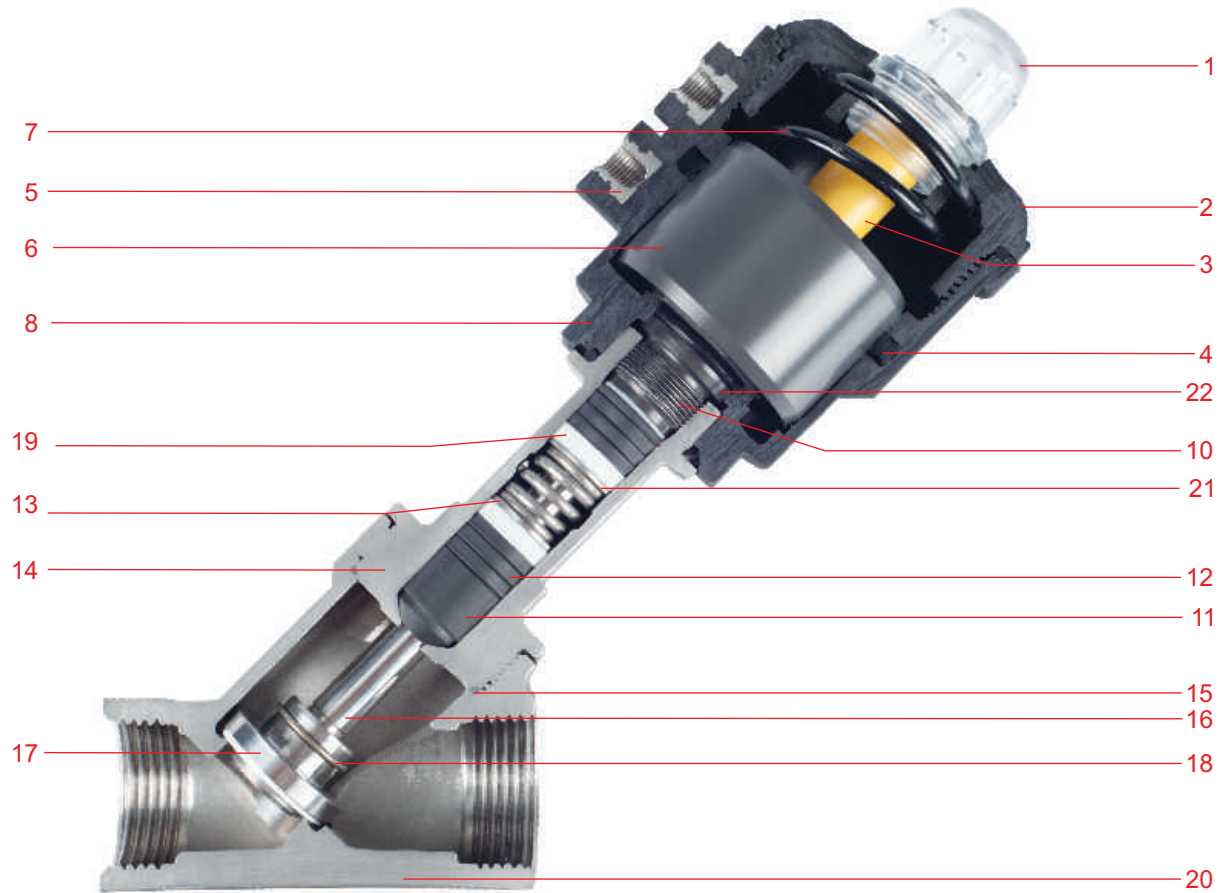


MS flange with lock nut adopted to Threaded Port Valve



Valve with mechanical Stroke Limiter

And Many More...



ORDERING CODE

CODE	TOOL
T50	For opening Ø50 operator
T63	For opening Ø63 operator
① T90	For opening Ø90 operator
T110	For opening Ø110 operator

Note :
① Not required for DN-Operator 32090V02,
40090V02, 50090V02, 65090V02

ORDERING EXAMPLE

T50
Cover opening tool for operator Ø50

TOOL KIT



Note :
To avoid damage, held operator in soft Jaw
vice, and open Cover using special tool

ANGLE SEAT VALVE ORDERING CODE SPARES

	Description	Material	Pos. No.	Qty.	
Body (Internals)		CF8 (SS 304) CF3M (SS 316L), (1.4435)	20	1	
Repair Kit (97)	Consists of Operator, Sleeve, Seat and Seal kit assembly				
Operator Assembly (99)	Consists of				
	Indicator Dome	Polycarbonate	1	1	
	Operator Cover	Glass filled Nylon	2	1	
	Open Indicator	ABS	3	1	
	Piston Seal	NBR	4	1	
	Insert	SS 316/ SS 304	5	2	
	Piston	Aluminium Anodised	6	1	
	Piston Spring	Carbon Steel (IS4454 GR II)	7	1*	
	Piston Inner Spring	Carbon Steel (IS4454 GR II)	7A	1*	
	Operator	Glass filled Nylon	8	1	
	Shaft Seal	NBR	9	1	
	Hex Assembly	Aluminium hard Anodised	10	1	
	Operator Seal	NBR	21	2	
	Sleeve Assembly (95)	Consists of			
		Shaft Bearing	PTFE/ PEEK	11	1
		Gland Packing	PTFE	12	6
		Gland Spring	SS 302	13	1
		Sleeve	CF8 (SS 304), CF3M (SS 316L, Cast), (1.4435)	14	1
		Body Seal	Graphoil	15	1
		Shaft	SS 304/ SS 316L (1.4404)	16	1
		Hex Assembly	Aluminium hard Anodised	95	1
Washer		SS 304	95	2	
Gland Packing Retainer		PTFE	19	1	
Seat Assembly (96)	Consists of				
	Seat holder assembly	SS 304/ SS 316	17	1	
	Retaining Ring	SS 302	18	1	
Seal Kit (98)	Consists of				
	O ring/ Quad seals	NBR/ VITON		6/ 1	
	Body Seal	Graphoil	15	1	

*(Where applicable)

ORDERING CODE SPARES

1	2	3	4	5	6	7
SPARE KIT	DN-OPERATOR	VERSION	FUNCTION	PILOT	SEAL SEAT	BODY
99	32063	※	F1	P1	※	※

<table style="width: 100%; border-collapse: collapse;"> <tr><th style="text-align: center;">1</th></tr> <tr><th style="text-align: center;">SPARE KIT</th></tr> <tr><td>Operator Assembly</td><td style="text-align: right;">99</td></tr> <tr><td>Seal Kit</td><td style="text-align: right;">98</td></tr> <tr><td>Seat Assembly</td><td style="text-align: right;">96</td></tr> <tr><td>Sleeve Assembly</td><td style="text-align: right;">95</td></tr> </table>	1	SPARE KIT	Operator Assembly	99	Seal Kit	98	Seat Assembly	96	Sleeve Assembly	95	<table style="width: 100%; border-collapse: collapse;"> <tr><th style="text-align: center;">2</th></tr> <tr><th style="text-align: center;">DN-OPERATOR</th></tr> <tr><td>12050</td><td style="text-align: right;">40090</td></tr> <tr><td>12063</td><td style="text-align: right;">40110</td></tr> <tr><td>20050</td><td style="text-align: right;">50063</td></tr> <tr><td>20063</td><td style="text-align: right;">50090</td></tr> <tr><td>25050</td><td style="text-align: right;">50110</td></tr> <tr><td>25063</td><td style="text-align: right;">65090</td></tr> <tr><td>32063</td><td style="text-align: right;">65110</td></tr> <tr><td>40063</td><td style="text-align: right;">80110</td></tr> </table>	2	DN-OPERATOR	12050	40090	12063	40110	20050	50063	20063	50090	25050	50110	25063	65090	32063	65110	40063	80110	<table style="width: 100%; border-collapse: collapse;"> <tr><th style="text-align: center;">3</th></tr> <tr><th style="text-align: center;">VERSION</th></tr> <tr><td>#</td></tr> <tr><td>V01</td></tr> <tr><td>V02</td></tr> </table>	3	VERSION	#	V01	V02	<table style="width: 100%; border-collapse: collapse;"> <tr><th style="text-align: center;">4</th></tr> <tr><th style="text-align: center;">FUNCTION</th></tr> <tr><td>Normally Closed, Pressure above plug, Single acting</td><td style="text-align: right;">F1</td></tr> <tr><td>Normally Open, Pressure below plug, Single acting</td><td style="text-align: right;">F2</td></tr> <tr><td>Normally Closed, Bi-Directional, Single acting</td><td style="text-align: right;">F3</td></tr> <tr><td>Normally Closed/ Normally Open, Bi-Directional, Double acting</td><td style="text-align: right;">F4</td></tr> <tr><td>Normally Closed, Pressure above plug, Single acting</td><td style="text-align: right;">F5</td></tr> <tr><td>Normally Closed, Pressure below plug, Single acting</td><td style="text-align: right;">F6</td></tr> </table>	4	FUNCTION	Normally Closed, Pressure above plug, Single acting	F1	Normally Open, Pressure below plug, Single acting	F2	Normally Closed, Bi-Directional, Single acting	F3	Normally Closed/ Normally Open, Bi-Directional, Double acting	F4	Normally Closed, Pressure above plug, Single acting	F5	Normally Closed, Pressure below plug, Single acting	F6	<table style="width: 100%; border-collapse: collapse;"> <tr><th style="text-align: center;">5</th></tr> <tr><th style="text-align: center;">PILOT CONNECTION</th></tr> <tr><td>Clean Port</td><td style="text-align: right;">P1</td></tr> <tr><td>NAMUR</td><td style="text-align: right;">P2</td></tr> <tr><th style="text-align: center;">6</th></tr> <tr><th style="text-align: center;">SEAL SEAT</th></tr> <tr><td>NBR</td><td style="text-align: right;">PTFE</td><td style="text-align: right;">※</td></tr> <tr><td>VITON</td><td style="text-align: right;">PEEK</td><td style="text-align: right;">S17</td></tr> <tr><th style="text-align: center;">7</th></tr> <tr><th style="text-align: center;">BODY</th></tr> <tr><td>CF3M</td><td style="text-align: right;">B14</td></tr> <tr><td>CF8</td><td style="text-align: right;">※</td></tr> </table>	5	PILOT CONNECTION	Clean Port	P1	NAMUR	P2	6	SEAL SEAT	NBR	PTFE	※	VITON	PEEK	S17	7	BODY	CF3M	B14	CF8	※
1																																																																							
SPARE KIT																																																																							
Operator Assembly	99																																																																						
Seal Kit	98																																																																						
Seat Assembly	96																																																																						
Sleeve Assembly	95																																																																						
2																																																																							
DN-OPERATOR																																																																							
12050	40090																																																																						
12063	40110																																																																						
20050	50063																																																																						
20063	50090																																																																						
25050	50110																																																																						
25063	65090																																																																						
32063	65110																																																																						
40063	80110																																																																						
3																																																																							
VERSION																																																																							
#																																																																							
V01																																																																							
V02																																																																							
4																																																																							
FUNCTION																																																																							
Normally Closed, Pressure above plug, Single acting	F1																																																																						
Normally Open, Pressure below plug, Single acting	F2																																																																						
Normally Closed, Bi-Directional, Single acting	F3																																																																						
Normally Closed/ Normally Open, Bi-Directional, Double acting	F4																																																																						
Normally Closed, Pressure above plug, Single acting	F5																																																																						
Normally Closed, Pressure below plug, Single acting	F6																																																																						
5																																																																							
PILOT CONNECTION																																																																							
Clean Port	P1																																																																						
NAMUR	P2																																																																						
6																																																																							
SEAL SEAT																																																																							
NBR	PTFE	※																																																																					
VITON	PEEK	S17																																																																					
7																																																																							
BODY																																																																							
CF3M	B14																																																																						
CF8	※																																																																						

Note :

※ Do not specify when opted for

- ① Some Components of the valves having different version number will not interchange, hence while ordering spares it is compulsory to mention MM/ YY or Sr. No. of the Valve

ORDERING EXAMPLE

99-32063-F1-P1

63 Ø Operator assembly having clean pilot ports, NBR seals and O rings suitable for 32 NB Normally Closed, Single Acting Angle Seat Valve, insert pressure above plug



Engineering For The Future

ROTEX GROUP SALES HEAD QUARTER

B/703/704, Western Edge-II,
Off Western Express Highway,
Borivli (East), Mumbai-400066
Ph: +91 22 42111444
Fax: +91 22 42111400
Email: sales-bby@rotexautomation.com

**ROTEX AUTOMATION LIMITED
UNIT 1**
987/11, GIDC Makarpura,
Vadodara - 390010, Gujarat, INDIA.
Ph. : +91 265 2638136/ 2638795/ 46
Fax : +91 265 2638130
Email : rotexbrd@rotexautomation.com

**ROTEX AUTOMATION LIMITED
UNIT 2**
C - 1 B/ 1501, 4 & 5, GIDC
Vithal Udyognagar - 388121,
Gujarat, INDIA.
Ph. : +91 2692 236224/ 236292/ 236399
Fax : +91 2692 236442
Email : rotexvun@rotexautomation.com

OVERSEAS:
ROTEX Controls B.V.
Aventurijn 222
3316 LB Dordrecht
The Netherlands
Phone : +31 78 618 21 07
Email : info@rotexcontrols.nl

**ROTEX MANUFACTURERS AND
ENGINEERS PRIVATE LIMITED
UNIT 1**
Manpada Road, Dombivli (E) - 421204
Maharashtra, INDIA.
Ph. : +91 251 2871033/ 2871390/ 2871196/
2871989/ 2870890
Fax : +91 251 2871191/ 2870663
Email : rotexdbl@rotexautomation.com

**ROTEX MANUFACTURERS AND
ENGINEERS PRIVATE LIMITED
UNIT 2**
Plot No. E-61 , Additional
Ambarnath MIDC
Ambarnath (East) – 421 506
Dist Thane, Maharashtra, India

ROTEX Controls, Inc.
21 Sullivan Parkway
Fort Edward, NY 12828
Phone: +1 (888) 813 – 9772
Fax : +1 (866) 478 – 9620
Email : sales@rotexcontrols.com



MAGWEN Valves GmbH
Am Biotop 1
39171
Osterweddingen/Suelzeta
Ph. : +49 39205 676 13
Fax : +49 39205 676 50
Email : sales@magwen.de
www.magwen.de

www.rotexautomation.com
 @rotexautomation.com